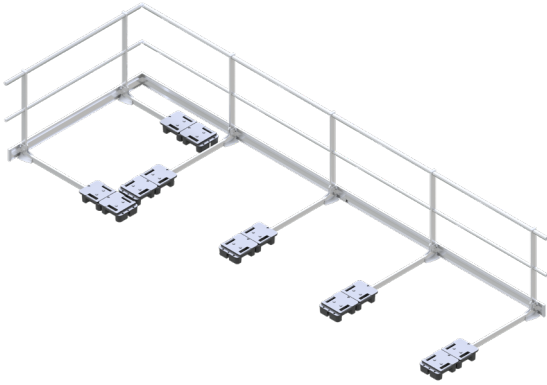


SAFETYPRO GUARDRAIL COLLECTIVE PROTECTION SYSTEMS

July 2023



DESCRIPTION

The SafetyPro GuardRail is a self-supporting, quick and easy to install barrier system, without penetration of the roof cladding, for flat roofs, certified according to EN ISO 14122-3, roof gardens, escape and maintenance routes.

APPLICATION

The system is ideal for securing roof gardens, escape and service routes. Anchoring by ballast avoids damage to the roof structure and the parapet wall. It can be installed easily and rapidly.

BENEFITS

- ✓ Easy and quick installation without penetrating the roof-layers
- ✓ The system can also be modified at a later stage thanks to its use of ballast for anchorage
- ✓ With the FlexTech system, the vertical part of the railing can be folded down when the system is not in use, so the view of the building is not affected
- ✓ Special accessories enable customised application to meet different needs
- ✓ Appropriate surface treatments (e.g. powder-coated), can be used to protect and enhance the railing.

TECHNICAL DATA

SafetyPro GuardRail	Tech-90 (EN 13374)	Tech-90 (EN ISO 14122-3)	Tech-25 (EN ISO 14122-3)	FlexTech (EN ISO 14122-3)
Height	110 cm	118 cm		110 cm
Toe board	Obligatory if the parapet is lower than 15 cm		Obligatory if the parapet is lower than 10 cm	
Max. distance between posts	250 cm		150 cm	140 cm (1 segment = max. 12 m)
Weight	12-14 kg / fm		19 - 21 kg / fm	
Max. inclination	10°		15°	
Counterweight		2 x 12.5 kg / Base element		
Material	Aluminium			

All dimensions are nominal



System documentation

The SafetyPro system documentation is the normative when installing the system.



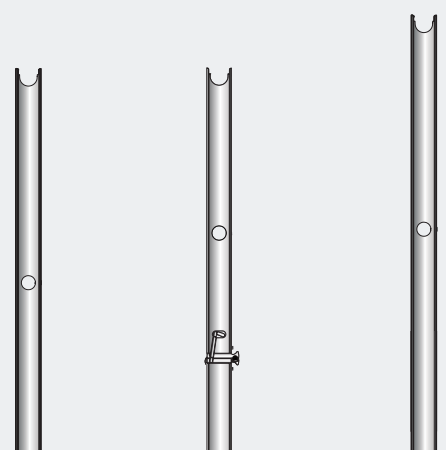
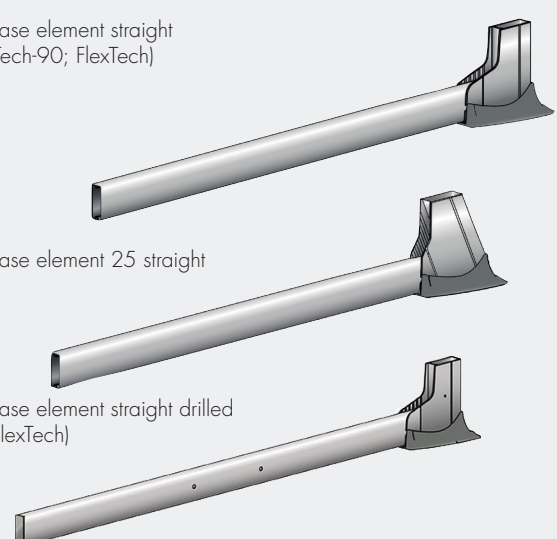
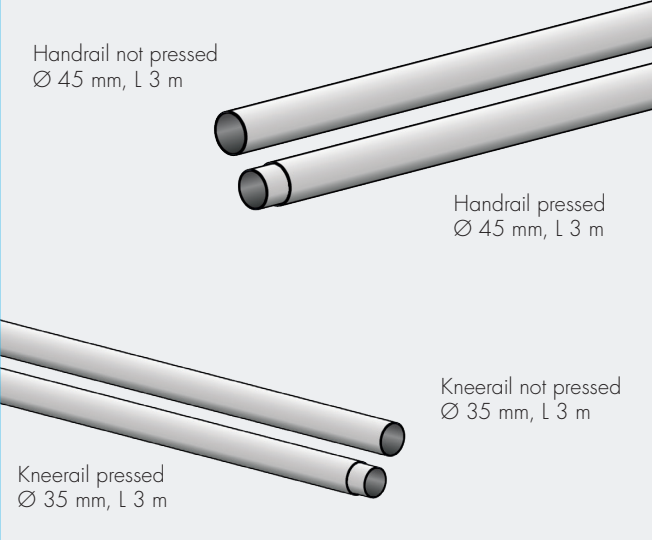
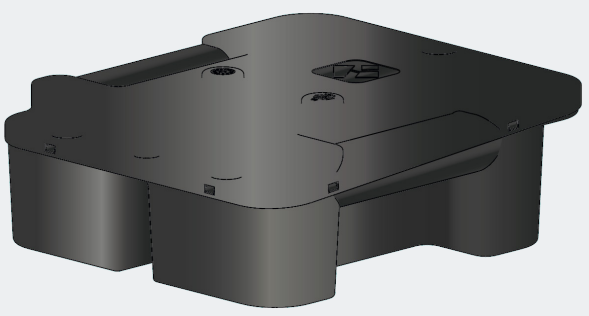
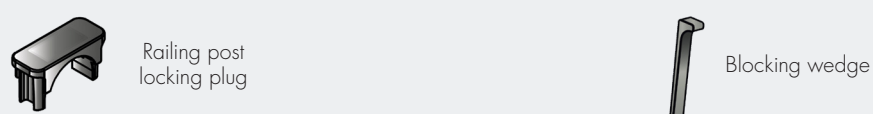
www.knaufinsulation-safetypro.com

challenge.
create.
care.

SAFETYPRO GUARDRAIL COLLECTIVE PROTECTION SYSTEMS

July 2023

COMPONENTS

<p>Railing post straight H 1105 mm (Tech-90 - EN 13374)</p> <p>Railing post foldable H 1105 mm (FlexTech)</p> <p>Railing Post H 1182 mm (Tech-90 - EN ISO 14122-3) (Tech-25 - EN ISO 14122-3)</p> 	<p>Base element straight (Tech-90; FlexTech)</p> <p>Base element 25 straight</p> <p>Base element straight drilled (FlexTech)</p> 
<p>Handrail not pressed Ø 45 mm, L 3 m</p> <p>Handrail pressed Ø 45 mm, L 3 m</p> <p>Kneerail not pressed Ø 35 mm, L 3 m</p> <p>Kneerail pressed Ø 35 mm, L 3 m</p> 	<p>Counterweight 12.5 kg</p> 
 <p>Railing post locking plug</p> <p>Blocking wedge</p>	

Knauf Insulation, d.o.o.

Trata 32, 4220 Škofja Loka, Slovenia Tel: +386 (0)4 5114 000 E-mail: urbanscape@knaufinsulation.com

For more information: www.urbanscape-architecture.com

All rights reserved, including those of photomechanical reproduction and storage in electronic media. Extreme caution was observed when putting together and processing the information, texts and illustrations in this document. Nevertheless, errors cannot quite be ruled out. The publisher and editors cannot assume legal responsibility or any liability whatever for incorrect information and the consequences thereof. The publisher and editors will be grateful for improvement suggestions and details of possible errors pointed out.

