

CI/SfB	(29)	(k2)
CAW P10		
Uniclass JP10:L68114		

Product Information

Description

FS702 Intumastic is a water-based acrylic sealant which cures to give a firm but flexible fire seal. Suitable for use in various construction joints offering up to 30% movement capability whilst providing an excellent acoustic and air seal.

FS702 is suited for use around non-combustible services, cables, rock fibre insulated non-combustible pipes, using a minimum depth of 25 mm. FS702 has excellent adhesive qualities and can also be used for the bonding and pointing of joints and service penetrations in conjunction with FB750 Intubatt system.

Usage / Purpose

FS702 is suitable for a variety of applications:

- Static & movement linear joints (masonry/flexible wall to masonry/rigid wall/rigid floor/flexible wall)
- Window & door joints (masonry to timber/steel)
- FB750 to flexible wall/rigid wall/rigid floor
- Cold smoke seal
- Service penetrations sealing: copper & steel pipes, cable bundles / trays / ladders (with and without FI025 Intuflex Insulation Wrap)
- FS702 is also suitable for service movement joints (consult Technical Services).

Traceability & Product Identification

- Nullifire is bringing unique identification technologies to the market, offering architects, specifiers, main contractors, and applicators guaranteed traceability of product on-site. Our traceability technologies are not visible to the naked eye, and do not affect performance or product aesthetics.
- FS702 features Optifire technology, a unique UV technology, activated by exposing the products surface to a UV light source, which offers easy & instant product identification (white colour only).

- FS702 also features Optifire+, a unique pigment technology, visible only with a specific Nullifire detector ; Optifire+ offers lifetime identification, and remains traceable even after a fire.

Colours

White.

Grey is available on request (may be subject to minimum order quantities).

Packaging

Gun Grade:

310 ml cartridges (12 per box/25 per box)

600 ml sausages (12 per box)

400 ml sausages (15 per box)

Trowel Grade: 5 litre bucket

Availability

Direct from Tremco CPG UK Limited (see details on this TDS).

Usage Guidelines

Always read SDS, pre-application guidance and relevant application detail prior to application. Ensure the latest documents are downloaded prior to every project commencement.

Protective Equipment

Use in well ventilated conditions and ensure all recommended protective equipment is worn during handling & use of this product. For full recommendation, refer to safety data sheet.

Necessary Tools

- Sealant caulking gun
- Sealant profiling tool/spatula
- Masking tape (if decorative finish is required to surrounding substrates)

Preparation

- All surfaces must be clean and sound, free from dirt, grease and other contamination.
- Wood, plaster and brick may be damp but not running wet.
- Porous or high gloss surfaces require priming prior to application.
- If a clean line is required on adjoining substrates, masking tape should be used.
- Check specification is suitable for movement, fire rating and gap size required.

Nullifire

Smart Protection

FS702

Intumastic Fire Resistant Acrylic Sealant

up to
**240
mins**

optifire
optifire+



Key Benefits Summary

- Up to 4 hours fire resistance
- Tested to EN 1366-4 and EN 1366-3
- Up to 30% movement capability (during fire test)
- Suitable for flexible walls and rigid walls & floors
- Used for sealing FB750 Intubatt
- Acoustics up to 55 dB
- Air seal up to 2,000 Pa
- Optifire & Optifire+ unique traceability identifiers

This product is certified to applicable European (EN) standards and UL-EU Mark service requirements. CERT. N° UL-EU- 01059-CPR





FS702

Intumastic Fire Resistant Acrylic Sealant

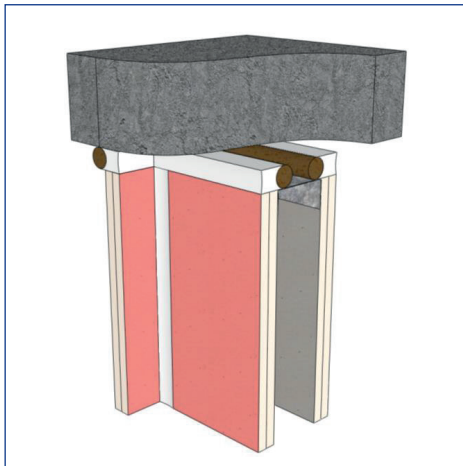
Application

- Insert required backing material (refer to performance on backing materials), oversized to joint width to ensure stability, to provide correct depth of seal.
- A light water spray will aid adhesion if a rock mineral fibre backer has been applied.
- Using a sharp knife, cut nozzle of cartridge to bead size and angle required.
- Gun sealant into gap to required depth by applying an even pressure to the trigger.
- Work and tool to a smooth finish immediately with a wet profiling tool or spatula.

Important Information

- Do not use around CPVC pipes ; for this specific application, please use FS719 HP Blue for CPVC.
- If used around Pegler X-Press Carbon Steel pipes, the pipe manufacturer should be consulted, and their recommendations followed.

Typical Details



FS702 Intumastic plasterboard to concrete linear gap seal with PE backer rod: EI120

Coverage

To determine quantity of sealant required, calculate as following example:

$$\frac{\text{Gap Width (mm)} \times \text{Depth (mm)} \times \text{Total Length (m)}}{\text{Volume of Cartridge (ml)}} = \text{N}^{\circ} \text{ of cartridges}$$

For further guidance on application methods, and material requirements, please contact Tremco CPG UK Limited Technical Services Department.

Cleaning

Immediately remove all excess sealant and masking tape before cure. Clean tools in warm water. Cured sealant can only be removed mechanically.

Health & Safety Precautions

Safety data sheet must be read and understood before use.

Technical Service

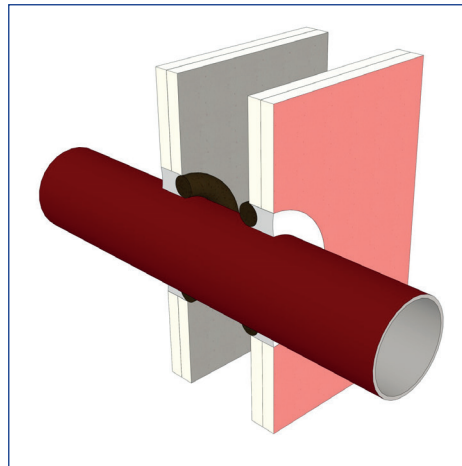
Tremco CPG UK Limited has a team of experienced Technical Sales Representatives who provide assistance in the selection and specification of products. For more detailed information, service and advice, please call Customer Services on 01942 251400.

Guarantee / Warranty

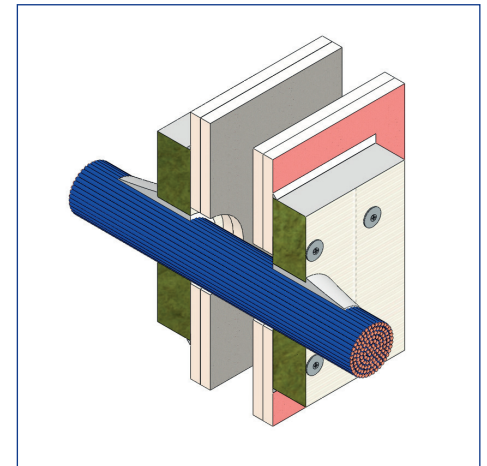
Tremco CPG UK Limited products are manufactured to rigid standards of quality. Any product which has been applied (a) in accordance with Tremco CPG UK Limited written instructions and (b) in any application recommended by Tremco CPG UK Limited, but which is proved to be defective, will be replaced free of charge.

No liability can be accepted for the information provided in this leaflet although it is published in good faith and believed to be correct.

Tremco CPG UK Limited reserves the right to alter product specifications without prior notice, in line with Company policy of continuous development and improvement.



FS702 Intumastic seal for non-combustible pipe penetration through drywall: E120 EI30 (EI120 can be achieved with FI025 Intuflex)



FB750 Intubatt Patress Fit + FS702 Intumastic seal & bond for cable penetration through drywall: EI120



FS702

Intumastic Fire Resistant Acrylic Sealant

Nullifire

Smart Protection

Technical information

Property	Test Method	Result
Composition		Water based acrylic sealant
Acoustic Rating	BS EN ISO 10140:2-2010	up to 55 dB
Air Permeability	BS EN ISO 1023:2	Air tight up to 2,000 Pa
Solids Content		78% to 82%
pH Value		8.2 to 9.5
Specific Gravity		1.45 - 1.55
Viscosity		Thixotropic
Shore A Hardness		~ 30
Touch Dry	at 20°C	30 minutes
Cure Rate	at 20°C	1 mm/day
Maximum Continuous Service Temperature		70°C - above this temperature discolouration may occur.
Storage	Store in dry conditions between +5°C and +40°C. Product may be left for short periods (not exceeding 72 hours) at temperatures as low as -5°C. Allow product to defrost for 24 hours at +10°C before use.	
Shelf Life	36 months when stored as recommended in original unopened containers.	

Backing Material

This section relates to the change of material used to back a seal or sealant as part of a sealing system for apertures for penetrations of multiple services and linear joint seals. Backing material may not be omitted unless full fill is achieved.

Backing Material	Effect	Comment
Polyethylene / Polyurethane Rod	= or +	May be replaced by mineral wool
Glass Wool	= or +	May be replaced by stone wool or ceramic wool
Stone Wool	= or +	May be replaced by ceramic wool
Ceramic Wool (including ceramic alternatives)	=	May only be replaced by alternative material of equivalent material properties, i.e. density, thermal conductivity, melting point, shrinking, reaction to fire classification - for example alkaline earth silicate fibres
Increase in backing material depth	+	Acceptable for class A1 and A2 materials.
Decrease in backing material depth	-	Not acceptable.