

CI/SfB	(29)	(K2)
CAW P10		
Uniclass JP10:L6811		

Product Information

Description

FP302 Intustrap is a rubber based product with graphite impregnation that creates an extremely flexible pipe closure device.

The product remains dormant, until exposed to fire conditions, at which point it will expand to fill the space left by the melting combustible element. FP302 has a release tape to one side. This permits the thermal expansion of services, if required, and eases its application, allowing the product to slide freely along the pipe to its end location.

Usage / Purpose

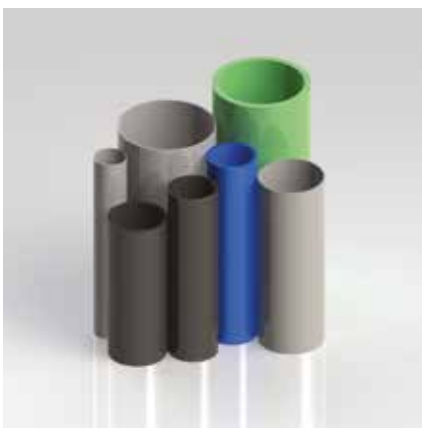
FP302 is a tested and proven closer device to be used around combustible pipes, insulated non-combustible pipes, and conduits (filled or empty).

FP302 is suited to a range of combustible elements, up to a maximum diameter of 160 mm in floors, and 110 mm in walls.

FP302 is required to be restrained within a suitably tested substrate or included within other Nullifire tested system solutions. These include but are not limited to: Rigid Walls and Floors, FB750 Intubatt and FR230 Intucompound. Always refer to the relevant and correct Nullifire Application Sheet, to ensure compliance with tested methodology.

Tested Combustible Pipe Material Types

PE, HDPE, LDPE, MDPE, PPR, PVC-U, U-PVC, CPVC, DB, ABS, San-PVC, UPONOR, PEX, MLCP



Combustible pipes

Typical Insulation Types

FP302 is tested for use around the following insulation types: rock fibre/ glass fibre/phenolic/PIR/rubberoid, all with an insulation wall thickness of up to 60 mm.



Pipe insulation

Additional Products

FP302 may be used within the following Nullifire products:

- FB750 Intubatt (flexible and rigid walls, floors)
- FR230 Intucompound (rigid walls and floors)
- FI064 Soft Joint Backer (use as an annular filler for gaps up to 60mm around the FP302)
- FS702 Intumastic or FS712 Intucoat should be used as a smoke seal where required.
- FS709 HP should be used to infill gaps created by wrapping banks and rows of combustible pipes within FP302.

Packaging

60 mm x 4 mm x 25 m rolls (1 per box)

Colour

Release paper colour may vary.

Density

1275 kg/m³

Expansion Ratio

120 times volume expansion

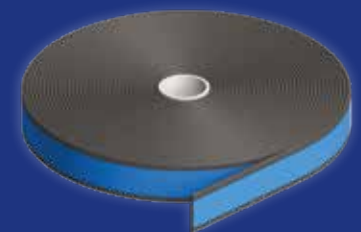
Availability

Direct from Tremco CPG UK Limited (see details on this TDS).

Nullifire
Smart Protection

FP302

Intustrap



Key Benefits Summary

- Up to 4 hours fire resistance - Tested to BS EN 1366-3 and BS 476 Pt 20-22
- Suitable for use in many substrate types
- Remains permanently flexible
- Unaffected by moisture
- Easy to inspect

This product is certified to applicable European (EN) standards and UL-EU Mark service requirements.
CERT. N° UL-EU-01060-CPR



ETA 20/1318



APPROVAL N° CF5364



FP302

Intustrap

Nullifire

Smart Protection

Usage Guidelines

Always read SDS, pre-application guidance and relevant application detail prior to application. Ensure the latest documents are downloaded prior to every project commencement.

Preparation

- Clean all abutting surfaces, ensuring loose particles, oils, grease or corrosive material have been removed.
- Ensure all services passing through the compartment penetration are suitable for use with FP302 and have been installed to the satisfaction of all relevant parties (we recommend checking TDS's as supplied by the manufacturer of the service).
- Consult the relevant service manufacturer's TDS for all combustible pipes to ascertain if any special requirements may be necessary.

Installation

- Consult Application Requirement Table and apply the correct number of layers and, if required, rows, to suit both the substrate type and EI requirements.
- Locate the FP302 to the correct perceived location within the compartment reinstatement seal type chosen and secure with duct tape only to itself, to retain product layers.

Rigid Wall (limitation 160 mm combustible pipe or 60 mm wall thickness pipe insulation)

- Locate within substrate with a maximum protrusion, if possible, of 10 mm.
- Finish using the following applicable procedure.

Annular fill requirements:

- 5 to 10 mm: fill annular with FS702.
- 10 to 60 mm: fill annular with FI064 Backer + FS702
- for larger annular spaces, FB750 Intubatt or FR230 Intucompound will be required. Ensure suitable smoke seal is created using FS702/712 or FS709.

FR230 Intucompound

- Up to EI120: 1 row required (centrally located)
- Up to EI240: 2 rows required (protrusion 10 mm each face)

- Annular space: NA
- Minimum FR230 thickness: 100 mm
- If FB750 is used as FR230 shutter, FP302 may be located within with zero downward protrusion.
- If FI140 is used as FR230 shutter, FP302 may not be located within the shutter board.

Flexible Wall (limitation 110 mm combustible pipe or 60 mm wall thickness pipe insulation)

Single FB750

- Locate within FB750 with a maximum protrusion, if possible, of 10 mm or 5 mm to each side (1 row of FP302 required).

Annular fill/irregularity in cut requirements: fill space between FB750 and FP302 using FS702 to full depth (maximum irregularity 20 mm).

Double FB750

- Locate within FB750 with a maximum protrusion, if possible, of 10 mm to each exposed face (2 rows of FP302 required).

Annular fill/irregularity in cut requirements: fill space between FB750 and FP302 using FS702 to full depth (maximum irregularity 20 mm).

Pattress FB750

- Locate within FB750 with a protrusion of 0 to 10mm from each exposed face (2 rows of FP302 required).

Annular fill/irregularity in cut requirements: fill space between FB750 and FP302 using FS702 to full depth (maximum irregularity 20 mm).

Rigid Floor (limitation 160 mm combustible pipe or 60 mm wall thickness pipe insulation)

Single FB750 Intubatt: not permitted

Single FB770 Intudeck

- Locate within FB770 with a maximum protrusion, if possible, of 10 mm or 5 mm to each side (1 row of FP302 required).

Annular fill/irregularity in cut requirements: fill space between FB770 and FP302 using FS702 to full depth (maximum irregularity 20 mm).

Double FB750

- Locate within FB750 with a maximum protrusion, if possible, of 10 mm to each exposed face (1 row of FP302 required).

Annular fill/irregularity in cut requirements: fill space between FB750 and FP302 using FS702 to full depth (maximum irregularity 20 mm).

Pattress FB750

- Locate within FB750 with a protrusion of 0 to 10 mm from each exposed face (1 row of FP302 required).

Annular fill/irregularity in cut requirements: fill space between FB750 and FP302 using FS702 to full depth (maximum irregularity 20 mm).

FR230 Intucompound

- Up to EI120: 1 row required
- Up to EI240: 2 rows required
- Annular space: NA
- Minimum FR230 depth: 100 mm
- If FB750 is used as FR230 shutter, FP302 may be located within with zero downward protrusion.
- If FI140 is used as FR230 shutter, FP302 may not be located within the shutter board.

Important Information

- Individual rolls of FP302 must be separated by a release paper when stacked unpackaged.
- FP302 is tested with inspection in mind. The product should protrude from all substrates by a maximum of 10 mm. This enables easy inspection.
- FP302 may also be installed anywhere within the floor slab, up to 300 mm from the underside of the soffit. We recommend installation is either at the top or the bottom face to prevent destructive inspection requirements.
- FP302 should be installed symmetrically in flexible wall systems, within FB750 Intubatt.
- Do not use around CPVC pipes ; for this specific application, please use FS719 HP Blue for CPVC.
- If used around Pegler X-Press Carbon steel pipes, the pipe manufacturer should be consulted and their recommendations followed.
- When using FR230, if the service type requires thermal expansion, FP302



FP302 Intustrap

should be the full depth of the FR230 primary seal if an alternative thermal accommodation joint has not been used.

- The product is tested with or without the release tape in position, so it can be used with or without the tape present.

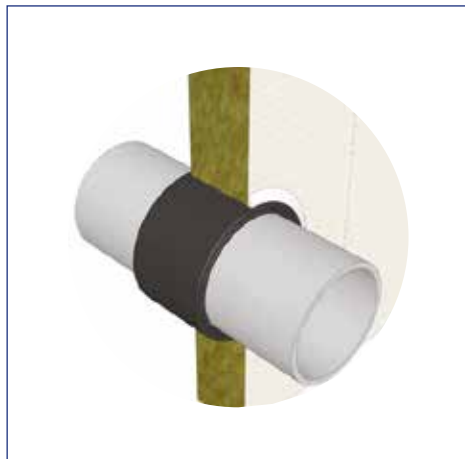
Storage

Store in dry conditions between -10°C and +70°C. Do not stack on each other without separation.

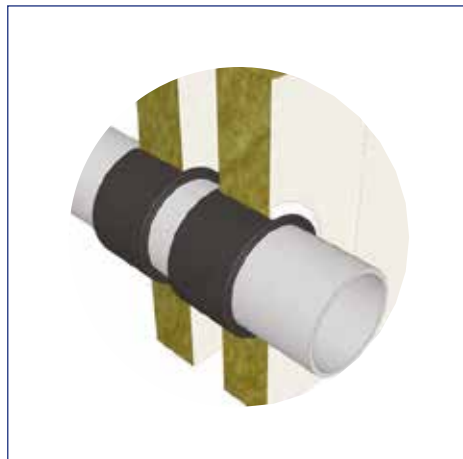
Shelf Life

Unlimited when stored as recommended.

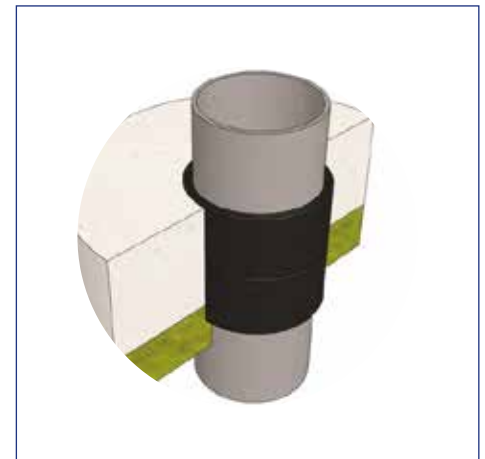
Typical Details



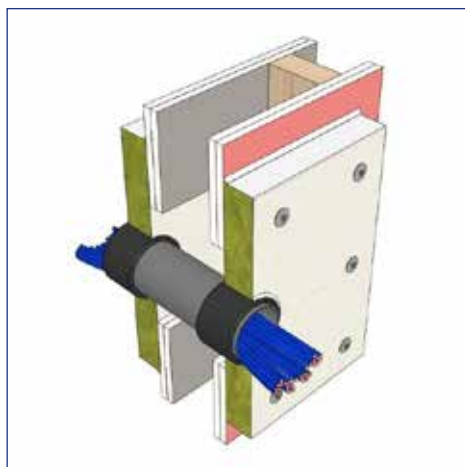
FP302 Intustrap within single FB750 Intubatt – Up to EI60



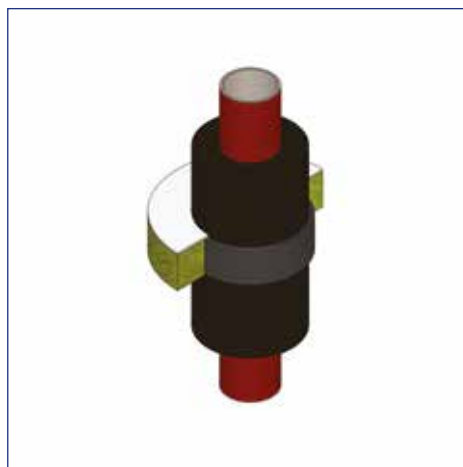
FP302 Intustrap within double FB750 Intubatt – Up to EI120



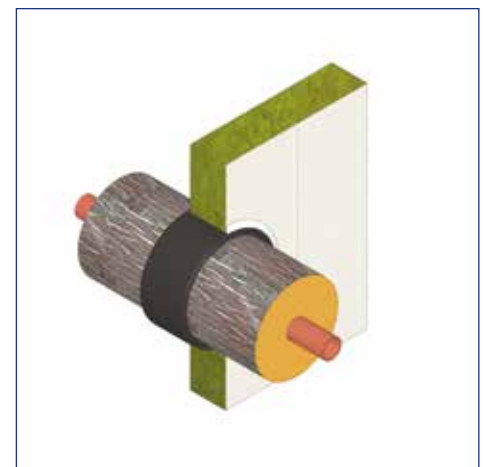
FP302 Intustrap within FR230 Intucompound, accommodating pipe thermal expansion requirements – Up to EI240



FP302 Intustrap within pattress FB750 Intubatt for combustible conduits filled with any volume of cables – Up to EI120



FP302 Intustrap within F1064 Backer + FS702 Intumastic around insulated non-combustible pipe – Up to EI120



FP302 Intustrap within FB750 Intubatt around insulated non-combustible pipe – Up to EI120

Health & Safety Precautions

Safety data sheet must be read and understood before use.

Technical Service

Tremco CPG UK Limited has a team of experienced Technical Sales Representatives who provide assistance in the selection and specification of products. For more detailed information, service and advice, please call Customer Services on +44 (0)1322 551010.

Guarantee / Warranty

Tremco CPG UK Limited products are manufactured to rigid standards of quality. Any product which has been applied (a) in accordance with Tremco CPG UK Limited written instructions and (b) in any application recommended by Tremco CPG UK Limited, but which is proved to be defective, will be replaced free of charge.

No liability can be accepted for the information provided in this leaflet although it is published in good faith and believed to be correct.

Tremco CPG UK Limited reserves the right to alter product specifications without prior notice, in line with Company policy of continuous development and improvement.



Application Requirement

		Number of FP302 layers (times around pipe)	Number of FP302 rows						
			Use within single FB750	Use within double FB750	Use with 100 mm FR230 up to 2 hours	Use with 100 mm FR230 up to 4 hours	Use with F1064 + FS702 up to 2 hours	Rigid walls up to 100 mm	Rigid walls above 100 mm
WALLS									
Combustible Pipe Diameter	Up to 55 mm	1	1	2	2	2	2	1	2
	Up to 82 mm	2	1	2	2	2	2	1	2
	Up to 125 mm	3	1	2	2	2	2	1	2
	Up to 160 mm	4	NA	NA	2	2	NA	1	2
Pipe insulation	Rock Fibre	2	1	2	2	2	2	1	2
	Glass Fibre	2	1	2	2	2	2	1	2
	PIR	2	1	2	2	2	2	1	2
	Phenolic	2	1	2	2	2	2	1	2
	Rubberoid	2	1	2	2	2	2	1	2
Conduits	Up to 55 mm	1	1	2	2	2	2	1	2
	Up to 82 mm	2	1	2	2	2	2	1	2
Pipe Diameter		Number of FP302 layers (times around pipe)	Number of FP302 rows						
			Use within single FB750	Use within double FB750	Use with 100 mm FR230 up to 2 hours	Use with 100 mm FR230 up to 4 hours	Use with F1064 + FS702 up to 2 hours	Rigid floors up to 2 hours	Rigid floors up to 4 hours
FLOORS									
Combustible Pipe Diameter	Up to 55 mm	1	NA	1	1	2	1	1	2
	Up to 82 mm	2	NA	1	1	2	1	1	2
	Up to 125 mm	3	NA	1	1	2	1	1	2
	Up to 160 mm	4	NA	1	1	2	1	1	2
Pipe insulation	Rock Fibre	2	NA	1	1	2	1	1	2
	Glass Fibre	2	NA	1	1	2	1	1	2
	PIR	2	NA	1	1	2	1	1	2
	Phenolic	2	NA	1	1	2	1	1	2
	Rubberoid	2	NA	1	1	2	1	1	2
Conduits	Up to 55 mm	1	NA	1	1	2	1	1	2
	Up to 82 mm	2	NA	1	1	2	1	1	2