



# TERANNA

## COMPOSITE FENCING

**LOW MAINTENANCE COMPOSITE FENCING & GATE**

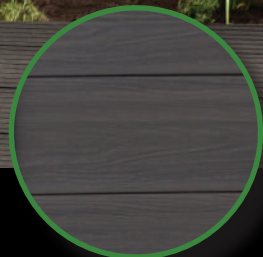
Tough and hard-wearing, ideal for Irish climate



**PRODUCT CATALOGUE  
& INSTALLATION GUIDE**



**FOSSIL**



**ANCHOR**



# TERANNA

## COMPOSITE FENCING



## Contents

**3 WHY CHOOSE THE TERANNA RANGE**  
6 Advantages of the Teranna Composite Material

**4 TERANNA ADVANTAGES OVER TIMBER**  
Modern & Innovative Fencing & Gate System

**6 PLANNING & INSTALLING**  
Fencing Installation Guidelines

**10 PLANNING & INSTALLING - GATE KIT**  
Gate Installation Guidelines

**14 CLEANING & MAINTENANCE**  
Fencing & Gate Care Guidelines

**18 TERANNA COMPOSITE DECKING**  
A Perfect Combination For Your Outdoor Living Space

**FIND YOUR NEAREST STOCKIST**



Call us  
01 642 6600



Email us  
[sales@laydex.ie](mailto:sales@laydex.ie)

# WHY CHOOSE THE TERANNA RANGE

## 6 Advantages of the Teranna Composite Material

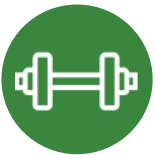
The Teranna Composite Range is a great alternative to a timber system. It will resist all types of harsh weather conditions and will create a durable, yet attractive Fencing & Gate solution.

Teranna Composite Fencing & Gates are manufactured with high strength and dimensional stability, ensuring your fence will not warp, crack, split or rot. Teranna requires minimal maintenance – no need for painting, staining, or sealing!



### INSTALL & MAINTAIN EASILY

- Easy and quick to install
- No need for staining & water sealant
- No painting needed



### HIGH STRENGTH

- Excellent screw and nail retention
- High impact resistance
- Great compressive-tensile shear strength
- Superior modulus of elasticity



### OUTSTANDING APPEARANCE & FEEL

- Natural feel & wood touch
- Available in 2 colours: **FOSSIL** & **ANCHOR**



### MATERIAL QUALITIES

- Low flame spread
- High slip resistance
- Toxic chemicals and preservatives free



### LONGEVITY

- Expected life span in excess of 20 years



### DIMENSIONAL STABILITY

- Tested to remain crack free within large temperature variations

# TERANNA ADVANTAGES OVER TIMBER

## Modern & Innovative Fencing & Gate System

Teranna Composite Fencing & Gate is the modern answer to this age-old dilemma faced by DIY enthusiasts and commercial builders alike. Practically every frustration commonly encountered with wood fencing is lifted with what is known as composite fencing, **an innovative upgrade that will provide the same high level of enjoyment for years and years.**



### RESISTANT TO FUNGI, LICHENS & INSECTS

- Teranna is fungi and lichens resistant and does not attract insects.



### FIRE RATED

- The product is made of safe materials which allow a **Class C Fire Rating** to be achieved.



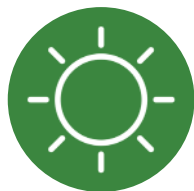
### NATURAL WOOD LOOK

- Looks and feels like natural wood.
- Available in 2 colours: **FOSSIL & ANCHOR.**



### ECO-FRIENDLY

- Teranna is made from recycled materials and can be recycled.



### RESISTANT TO UV RAYS

- Through the use of high quality pigments and UV filter additive, we have obtained unprecedented colour depth of our products.







# PLANNING & INSTALLING

## Fencing Installation Guidelines

### Key Considerations

#### STORAGE & DELIVERY

- ▶ Store your Teranna Fencing materials and other unassembled parts in dry, shaded conditions, as direct sunlight and overheating may lead to deformation.
- ▶ Teranna Fencing products should be transported by pallets, or else damages may occur.
- ▶ Teranna Fencing can heat up much more in sunlight than stone or wood. Direct sun contact should be avoided for areas that are subject to long-term exposure to the sun.

#### INSTALLATION

- ▶ We highly recommend you carefully read our Installation Guide before starting the work!
- ▶ Carbide tipped tools are recommended if you need to cut the Teranna Fencing boards for width adjustment.
- ▶ Teranna Fencing may expand or contract due to temperature changes. We recommend leaving the boards on site for 48 hrs before starting to allow the boards to acclimatise to the environment.
- ▶ For installation, the optimal outside temperature is between 5°C and 25°C.
- ▶ We recommend that Teranna Fencing is cleaned thoroughly following installation.

## Tools Needed for Installation

As with other building work it is important to work safely and to take suitable safety precautions including the wearing of protective clothes, gloves, safety goggles and a dust mask.



Percussion Drilling



Electric Screwdriver



Tape Measure



Spanner

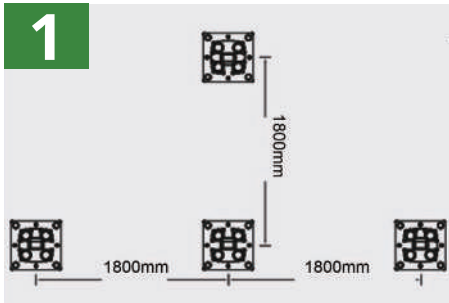
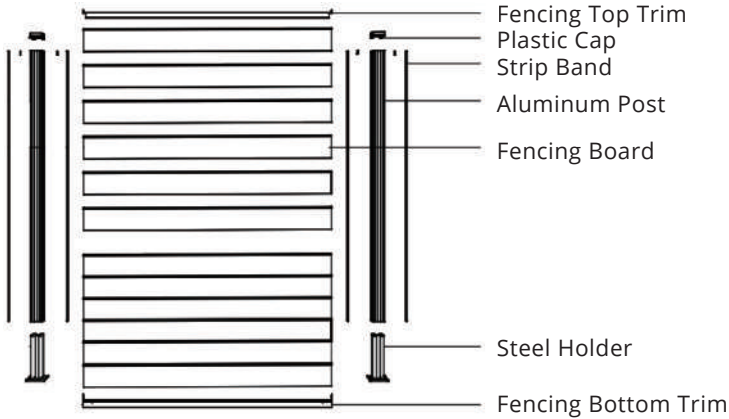


Spirit Level

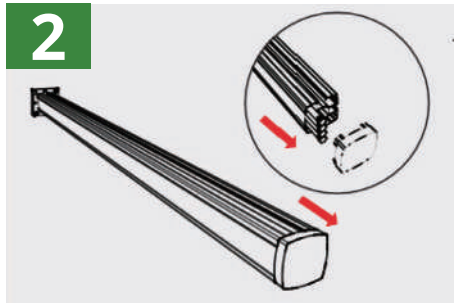


Hammer

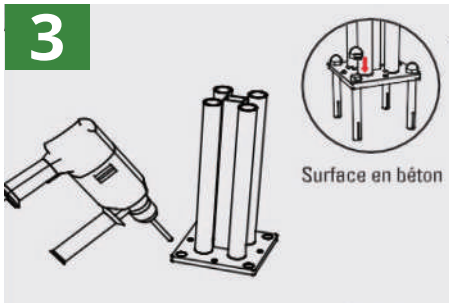
# Installation



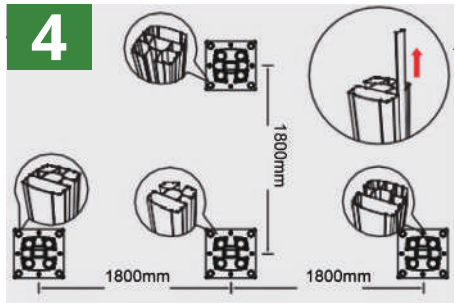
The fence distance between two posts is 1800mm. The fencing board can be installed lengthwise, in "L" or in "T".



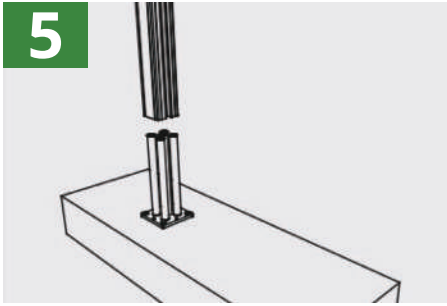
Remove the plastic cap and expansion bolts before installing the post.



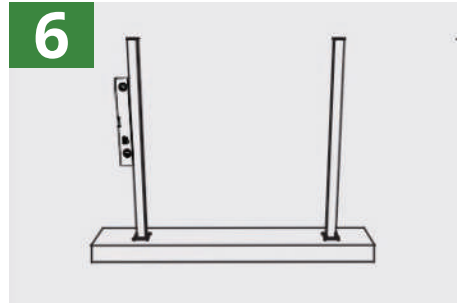
Position the plate of the steel holder, then drill some pilot holes using a drill bit with a diameter of  $\varnothing 12\text{mm}$ , and fix the plate with the screws provided.



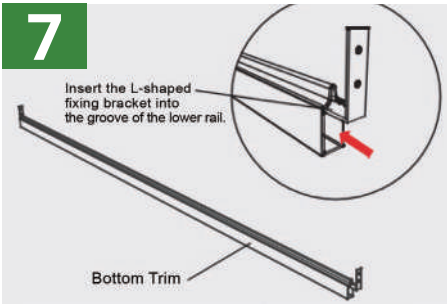
Each post kit has grooves on two sides with strip bands, which are removable to match the different types of installation desired.



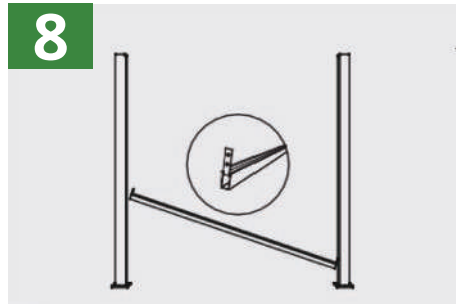
5 Place the aluminum post onto the steel holder.



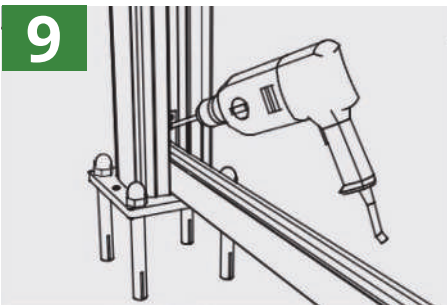
6 Adjust the post using a level.



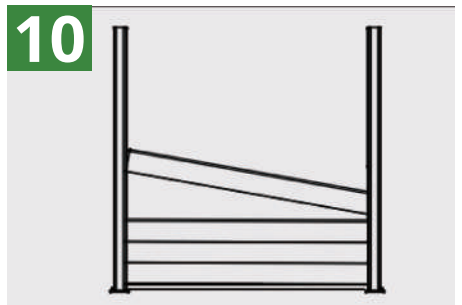
7 Remove the L-bracket from the bottom trim. Insert it according to the drawing above.



8 Put the bottom trim kit into the aluminum post groove.

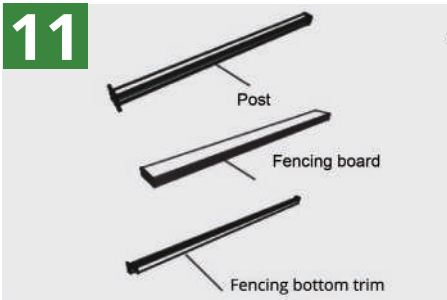


9 Put the bottom trim between the posts and fix it with screws (M4x19 screw).

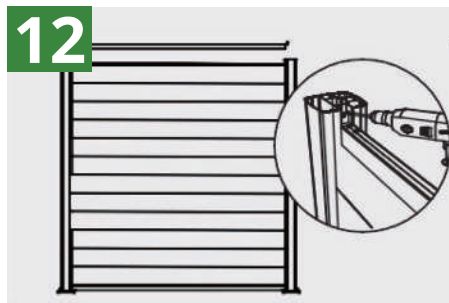


10 Slide the boards one by one between the posts. Note that the slats fit on top of each other so that the boards are fitted perfectly in place.

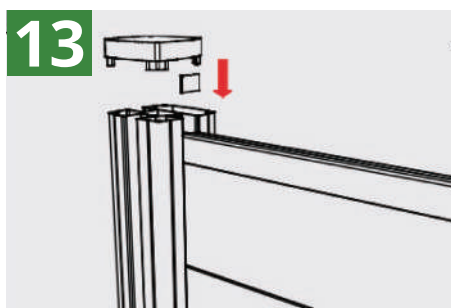




Install the desired number of boards.  
 A fencing system consists of:  
 2 Post Kits  
 1 Fencing Bottom Trim  
 4 Packs of Boards (3 boards per pack)



Position the top trim between the posts and screw it into position.



Insert the small finishing piece and then cover the post with the plastic cap.



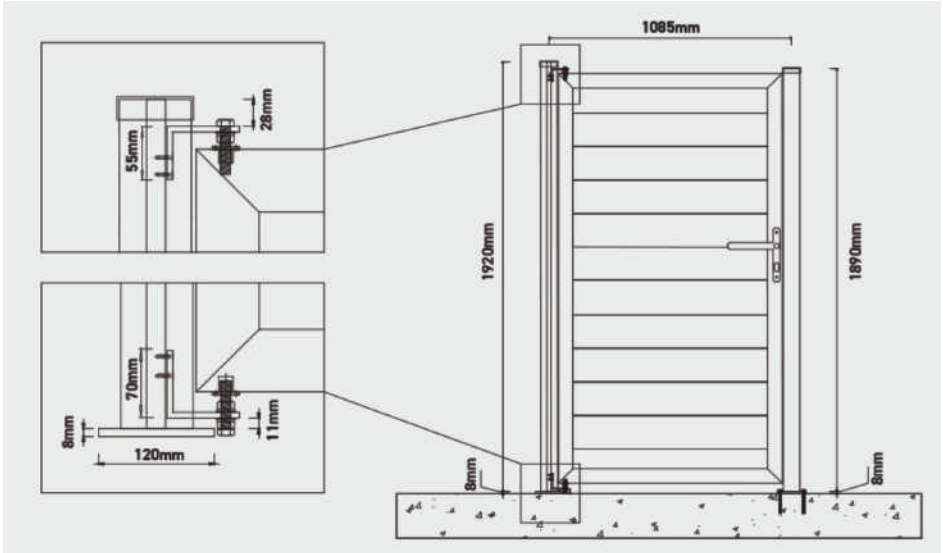
Above is a drawing of the completed fencing installation.

#didiyouknow  
**Teranna Composite Fencing has a life expectancy of more than 20 years in the toughest Irish weather?**

# PLANNING & INSTALLING – GATE KIT

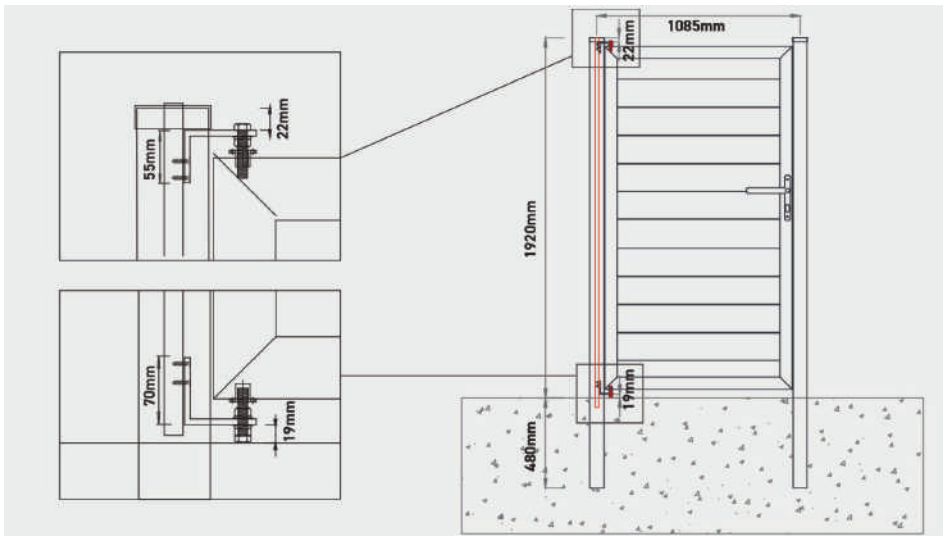
## Gate Installation Guidelines

### Standard Dimensions



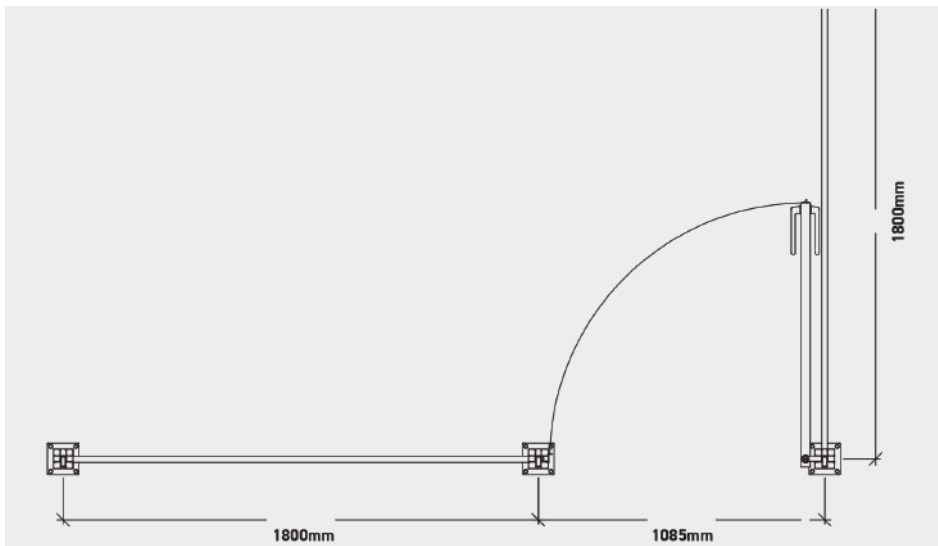
### INSTALLATION OF 2.4M POST

► When installing the 2.4m post, assemble it according to the dimensions below:

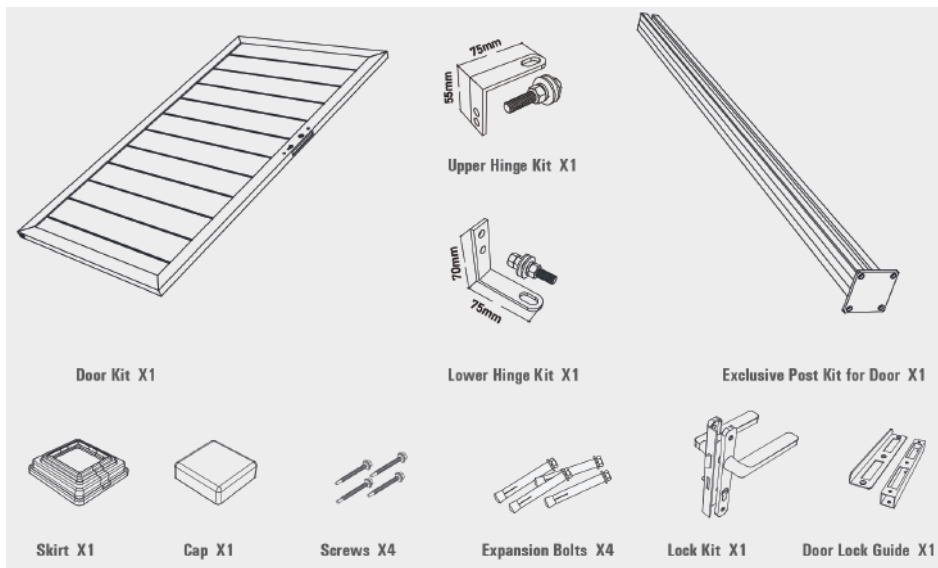


# Dimensions for Posts

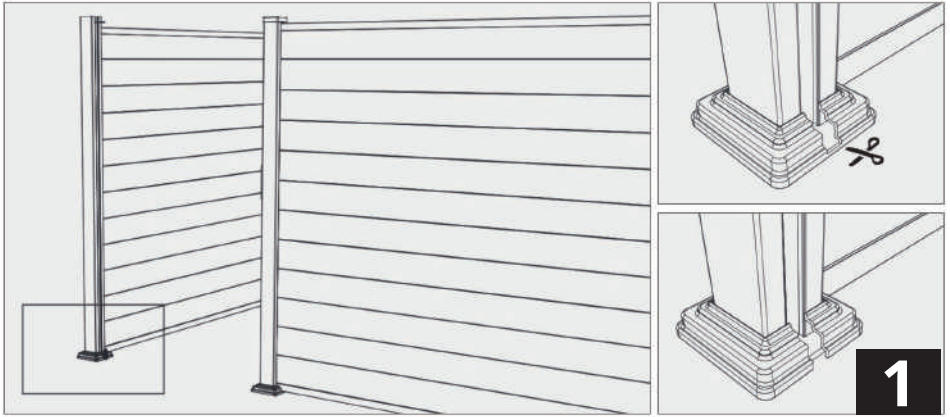
- The gate and fencing should be used as a set. For the fencing, the distance between the middle of the post to the middle of the next one is 1800mm; while for the gate, the distance between the middle of the post to the middle of the next one is 1085mm.



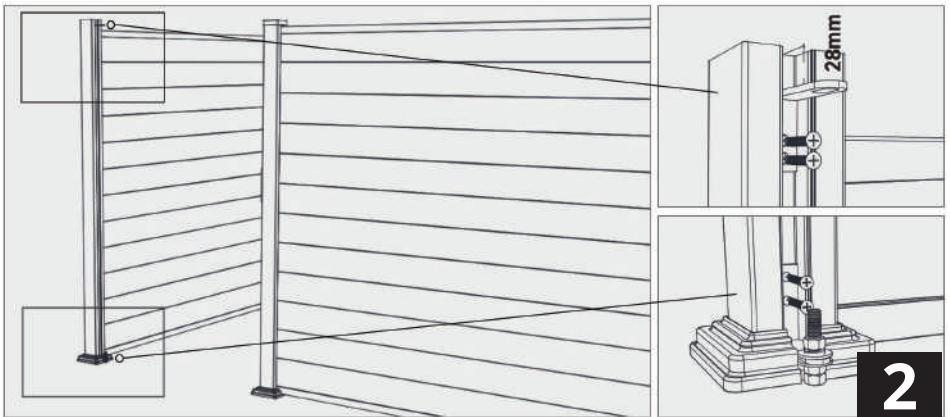
# Accessories



# Installation

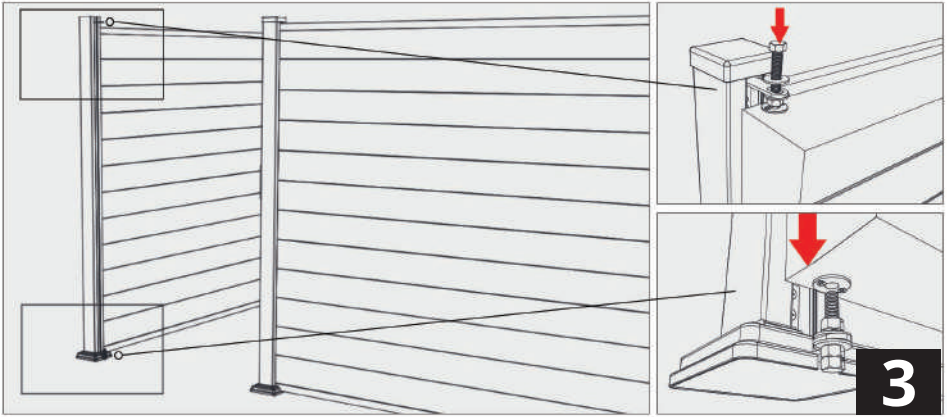


- Use a pair of scissors to cut a space in the bottom skirt of the post where the lower hinge will be installed.

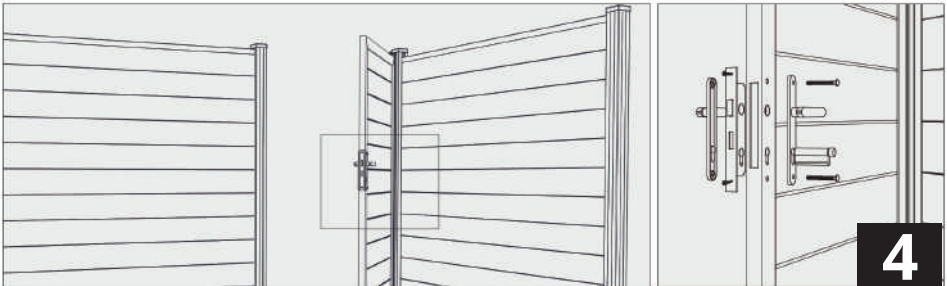


- When installing the upper hinge, do so in accordance with the dimensions shown on page 10.

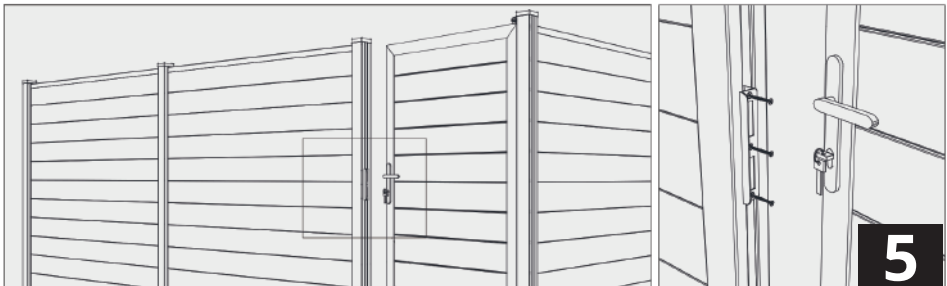




- Clip the gate into the lower hinge and then insert the screws of upper hinge from the upward side for fixing.



- To begin assembling the lock kit for the gate, fit the handle kit to the gate as illustrated above.



- Fit the lock receiver to the post at the required height.

# CLEANING & MAINTENANCE

## Fencing & Gate Care Guidelines

All exterior building products require periodic cleaning and the Teranna Fencing & Gate range is no different – thankfully though, **Teranna requires very little!** Cleaning will help to maintain the beauty and longevity of your fencing and is a simple way of protecting your investment.



## Where to start...

Before doing any cleaning, it is best to test clean an area that is hidden. We recommend cleaning the Teranna Fencing & Gate product with warm water and vinegar-based detergent. Do not use any metal materials, such as a wire brush.

### SCRATCH

Slight scratches can be reworked using a light sand paper, always in longitudinal direction or in the direction of the profile grain.

### GENERAL DIRT & DEBRIS

Some heavy dirt can be removed using a soft bristle brush or similar. Residues like grinding dust, vegetation or organic substances can be removed using a hose, but water marks may be left. In this case, a household cleaner based on vinegar with warm water and a soft brush can be used. After brushing, use plenty of clean water to wash the fencing thoroughly.

### OIL / GREASE / FOOD

Spills such as oil stains, food, sauce, and beverage spills should be removed as soon as possible.

### MAINTENANCE

Clear any dirt or debris from between the fencing boards frequently to avoid a build up that may cause mildew.

## Can I Use A Pressure Washer?

When using a pressure washer we recommend lowering the pressure of the **water outlet**, so a gentle flow of water is dispersed.

A professional cleaner can use a jetting machine, but ensure that the **hydraulic pressure is less than 1500psi**, and the distance between the hose and fencing is no less than 30cm. Failing to do this may cause damage to your fence due to excessive water pressure.

### MOULD & MILDEW

Some dark or mouldy patches may appear on the Teranna Fencing product in areas where there is moisture or dirt on the fence for a long period. To remove this staining, a chlorine-based household cleaner can be used. Apply the recommended amount of cleaner with a soft bristle brush, and rinse with plenty of warm water.

### ICE & SNOW

Do not use metal tools such as a shovel or spade to remove ice and snow as this can cause damage to the fencing system.

### EXTRA TIPS

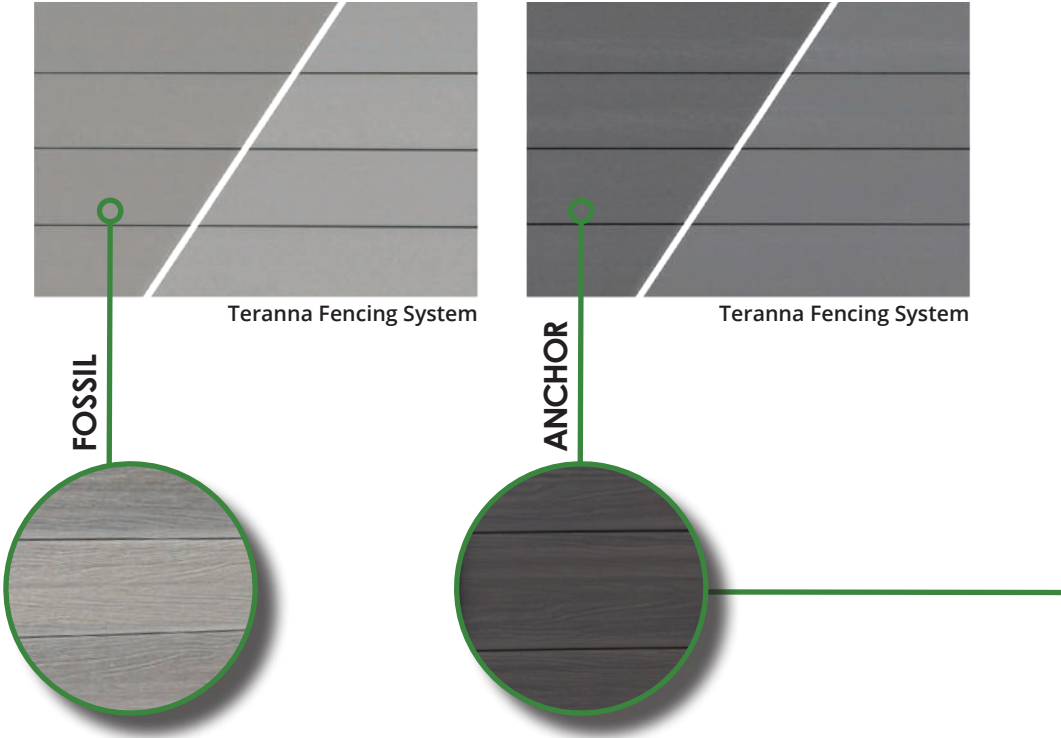
When cleaning, and in particular brushing; always work in a longitudinal direction in line with the grain of the product material.



# COLOR FADING

## Exposure to Sunlight & Weather Conditions

Almost all composite products will fade over time when exposed to sunlight and other weather conditions. This cannot be avoided even when we add high quality UV-inhibiting pigments. Some minor color difference will exist. See examples of color maturity as below:



## ECO-FRIENDLY COMPOSITE FENCING & GATES

### Attractive & Sustainable Choice

Teranna is produced with the environment in mind, composed of recycled wood and plastic. An environmentally friendly fencing and gate system, Teranna has the perfect balance of quality and sustainability.







# TERANNA COMPOSITE DECKING

## THE PERFECT COMBINATION FOR YOUR OUTDOOR LIVING SPACE

The combination of **Teranna Composite Fencing & Gate**, available in Anchor & Fossil, and **Teranna Composite Decking** is perfect for creating a charming outdoor living space that requires minimal maintenance. Complete the Teranna look by adding our **Composite Railing**, available in a Graphite & Dark Brown finish.



LIGHT BROWN



DARK BROWN



GRAPHITE



WALNUT



Available in 8 distinct finishes across two ranges:  
**Ever-Deck & Ever-Shield**



**EVER-DECK**



**GRAPHITE**



**DARK BROWN**



**LIGHT BROWN**



**SLATE GREY**



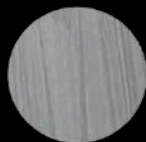
**EVER-SHIELD**



**TEAK**



**WALNUT**



**SILVER GREY**



**MOCHA**



**Laydex Building Solutions**

🌐 [www.laydex.ie](http://www.laydex.ie) ✉ [sales@laydex.ie](mailto:sales@laydex.ie) ☎ +353 (01) 6426600

📍 Unit 3, Allied Industrial Estate, Kylemore Road, Dublin 10

For more inspiration:



@TerannaDecking  
#terannadecking