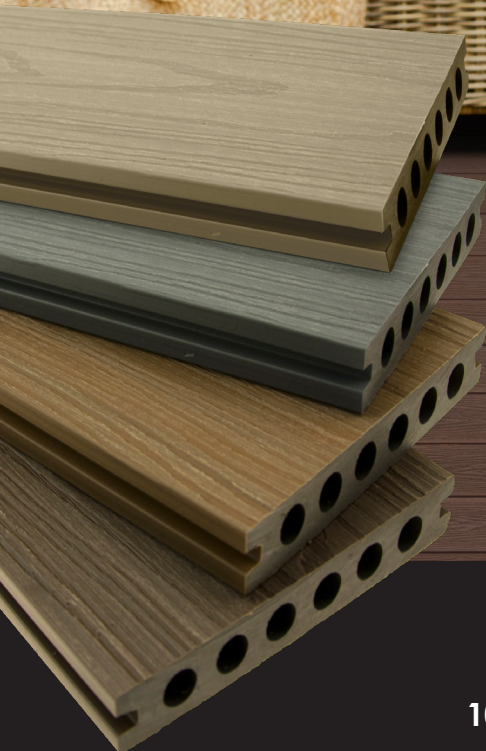


# **TERANNA** COMPOSITE DECKING

## INSTALLATION GUIDELINES PLANNING AND INSTALLING



**MADE FROM  
100% RECYCLED  
MATERIALS**



**SLIP  
RESISTANT**



**FIRE  
RATED**



**MAINTENANCE  
FREE**

The top choice for eco-friendly and low maintenance Composite Decking.

# PLANNING AND INSTALLING

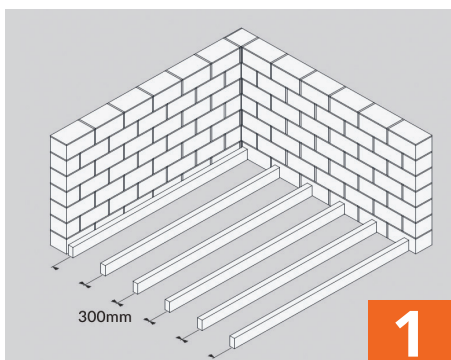
## Guidelines for Installing Composite Decking

As with other building work it is important to work safely and to take suitable safety precautions including the wearing of protective clothes, gloves, safety goggles and dust mask.

### Key Considerations

- We recommend **allowing your boards to acclimatise on site for a minimum of 24 hours** prior to installation. They should be kept flat, dry and raised off the ground. We don't recommend installing in temperatures below 5°C.
- Your decking boards can be worked with normal woodworking tools. We recommend using a wood saw with a fine-tooth blade to cut boards to size. When cutting, care should be taken to ensure that boards are properly supported.
- **Ensure there is adequate drainage under your deck.** We recommend a minimum fall of at least 1 in 100 (1%) that runs away from any adjoining buildings. Boards should run lengthways to help water disperse.
- **Room for expansion and contraction** of the decking boards must be considered with a minimum of a 10mm perimeter expansion gap required from fixed objects around your deck (e.g. walls).
- **Proper ventilation is critical to your deck.** Boards should be installed on to an appropriate substructure allowing for proper airflow into and out of the subconstruction. Inadequate ventilation can lead to excessive expansion/contraction which will result in cracked or warped decking boards.

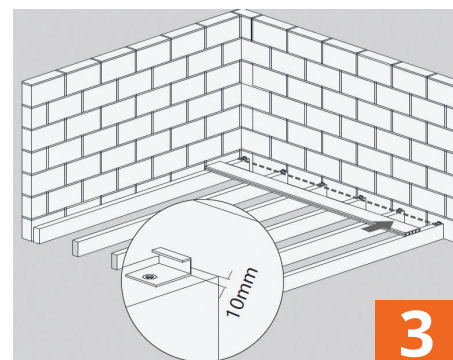
### Installation



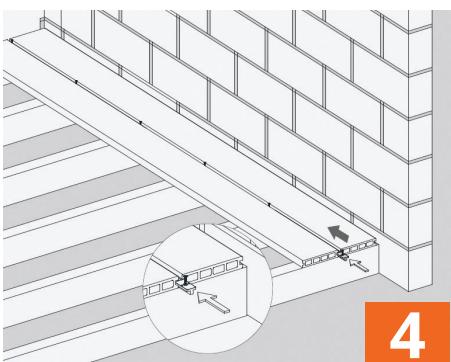
We recommend using 50 x 100mm treated timber joists at centres of 300mm with a minimum of a 1% fall to help water naturally disperse.



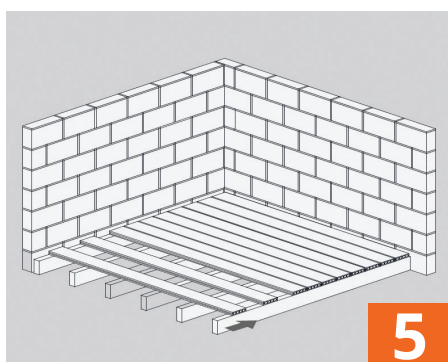
Secure starter clips in line with the joists. It is critical that a perimeter expansion gap of at least 10mm is provided between the decking and the wall and any other fixed objects. Ensure the boards do not overhang the joist at the edge by more than 25mm.



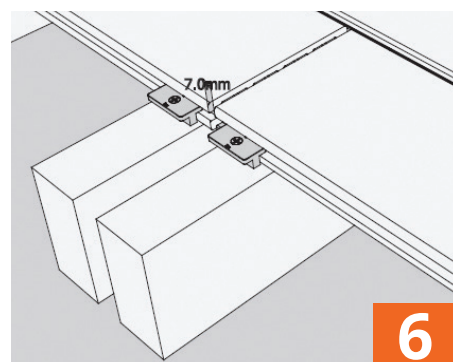
The first decking board should be secured with starter clips and thereafter use one universal clip and screw on every joist. Do not screw or nail through the decking board and do not overtighten at this point.



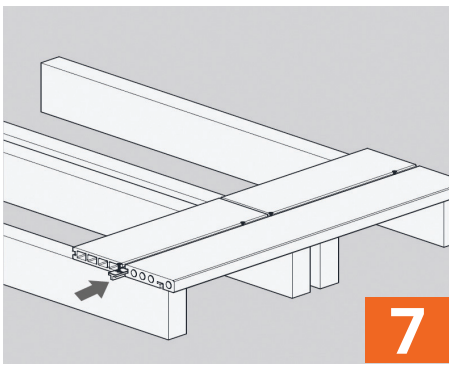
Take your next decking board and securely push into the universal clips. Nip the screw to secure.



Continuing installing the decking boards in this manner.

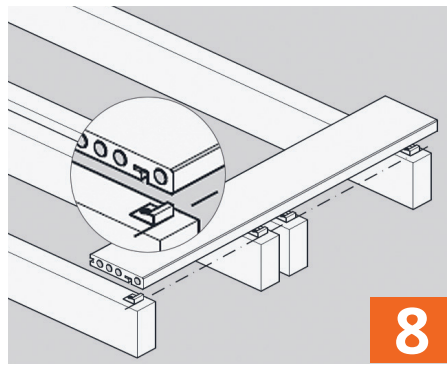


Two independent joists are required where boards ends meet with a 30mm gap provided between the joists. A 5-7mm expansion gap should be allowed between the board ends.



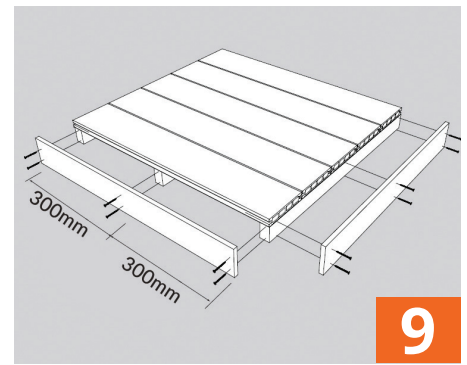
**7**

Fit the final boards by first measuring the width of the final two boards to determine where the outer edge of the final board will lie. Mark these areas. Using these marks for starter clips and slot the final board into place. Now insert the penultimate board, slide down the required number of universal clips and fix these into place.



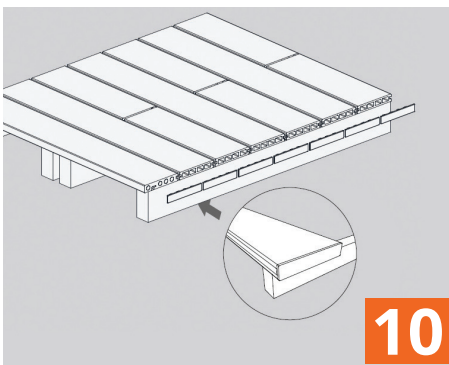
**8**

The nosing board can be installed similar to the decking boards. Begin by fixing the starter clip on to your outer joist. Once the outside of the board is fixed, attach the universal clip to the inside edge of the board and fix to the subframe.



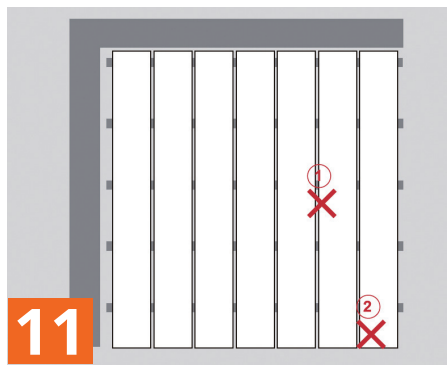
**9**

If using fascia, drill pilot holes with counterbore through the fascia at 300mm intervals. According to ambient temperature allow a minimum of a 5mm expansion gap between the end of the deck board and the fascia. Screw fascia to the joists. Always screw fascia to the joist at a 90° degree angle.



**10**

If using end caps, push the end caps into the exposed hollow board ends. We recommend applying a small amount of a High Grab External Adhesive to the end caps for extra adhesion. Wipe away any excess from the edge of the cap.



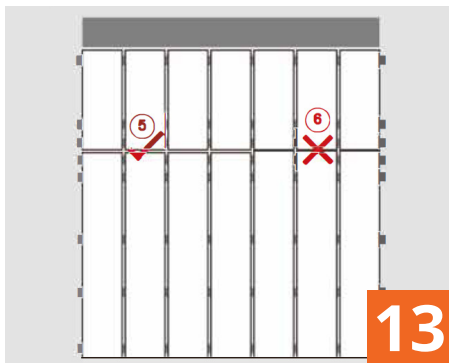
**11**

(1) Single decking plank should not be over 4000mm. Our Teranna boards are all 3600mm long.  
(2) We do not recommend having an overhang of the board over the joist of more than 25mm.



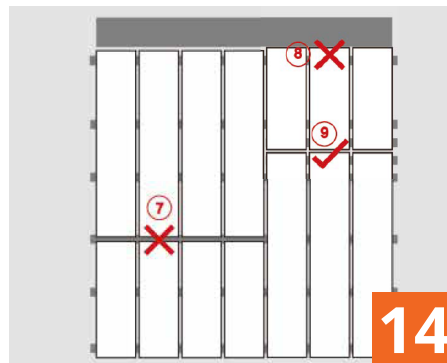
**12**

(3) Two joists are not used for each plank at the jointure.  
(4) The joints between decking boards should be staggered.

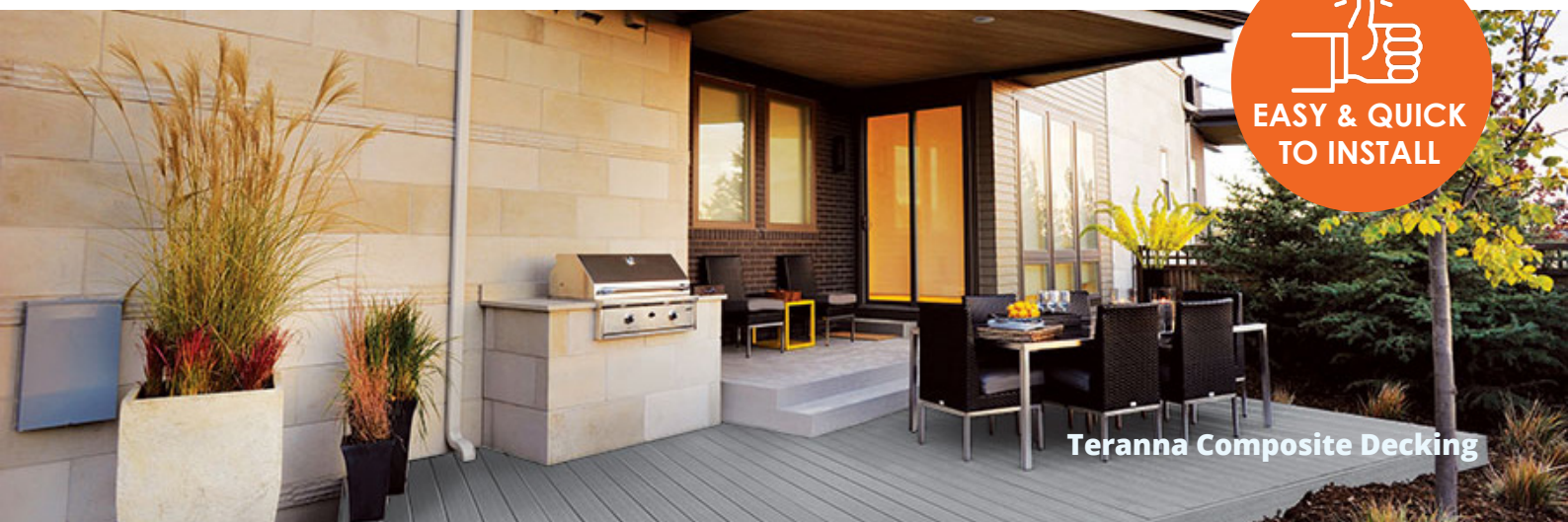


**13**

(5) Two joists are needed for each plank at the jointure.  
(6) The space for each plank at the jointure should be at least 5mm.  
(7) Two joists are not used for each plank at the jointure.  
(8) The end edge of the deck should not be too close to the wall.  
(9) Two joists are needed for each plank at the jointure and with right space between two decks.

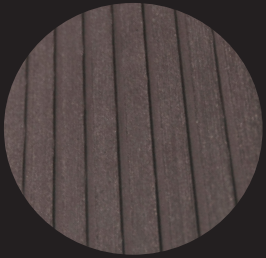


**14**



**Teranna Composite Decking**

## EVER-DECK



DARK BROWN



GRAPHITE



CHESTNUT **+PLUS**



SLATE GREY **+PLUS**

## EVER-SHIELD



WALNUT



TEAK



MOCHA



SILVER GREY



**DUBLIN OFFICE**  
sales@laydex.ie  
+353 01 642 6600

[www.laydex.com](http://www.laydex.com)

**BELFAST OFFICE**  
sales@laydex.com  
+44 28 9038 2223

**GET INSPIRED & KNOW MORE**



@TerannaDecking  
#terannadecking