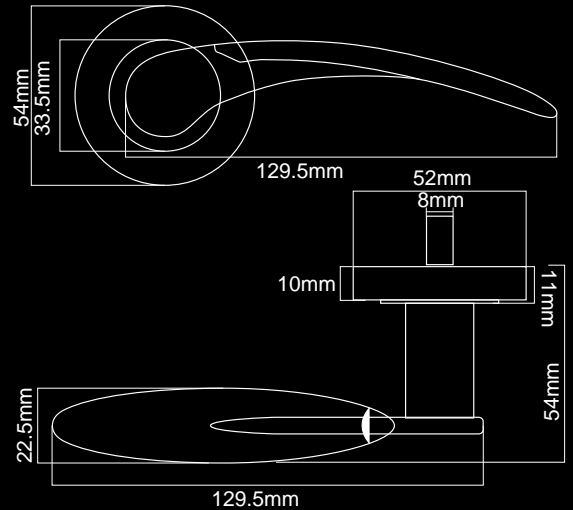


# APOLLO



## Classification

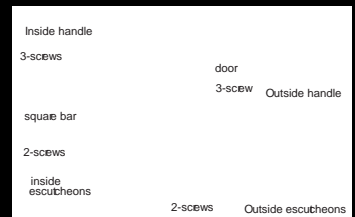
Category of use	Durability	Door Mass	Fire Resistance	Safety for Persons	Corrosion Resistance	Security	Type of Operation
1 - Medium Frequency of Use Internal Residential Use	6 - 100,000 Cycles	-	0	0	2 - 48 hours Salt atomised Spray	0	B
Finish	Dual Finish Satin Nickel/Nickel Polished	DIN EN 1906 Category of use	Grade 1	Axial Load	300N	Additional Finishes available : None	
Code	FDEAPO-SN/NP	DIN EN 1906 Durability	Grade 6	Options	/DUJHU ER OW 7KURXJK		
Lever Base Material	Zinc Alloy / Zamak	DIN 1906 Corrosion Resistance	Grade 2	on request for greater door thickness.			
Weight	490g	Spindel Size	As Required				
Door Thickness	35mm – 50mm	Angle of Rotation	0° 50°				
		Rotational Torque	20Nm				

## Fitting Instructions

Suitable for door thicknesses of 35-50mm

- 1 Decide on left opening or right opening (see below).
- 2 Install escutcheons and terra as per drawing. Note; Leave screws slightly loose.
- 3 Adjust position, to make sure the terra turn smoothly.

Left Handed Door use left hand to open      Right Handed Door use right hand to open



## Cleaning Instructions

Always use a Soft cloth. If necessary, you can humidify the soft cloth. If absolutely necessary on rare occasions you can use a PH neutral soap on a soft cloth but immediately after application, you should remove any soap with the help of a moist soft cloth.

Under no circumstances should a hard tool (brush or wire metallic cloth), or an abrasive or acidic substance be used on the door terra.

## Special Warning on Corrosive Air

Please be aware that environments where there are high concentrations of chemicals in the air, eg. emanating from low quality paint or corrosive agents, corrosion & damage PD\ RFFXU WR WKH VXUIDFH RI WKH GRRU OHYHU 'RRU /HYHUV VKRXOG QRW EH ç WWHG LQWR VXFK HQYL

Fortessa Door Levers are covered by a 10 Year Guarantee on Mechanical Parts. This Guarantee covers the internal mechanisms of the Lever and the spring only. Our Levers have been tested to pass DIN EN 1906 European Quality Standards, and have been tested for frequency of use. Should the internal mechanism or spring within our levers fail to meet this standard, within a 10 year time frame, we guarantee to replace the failing internal parts free of charge. The warrant is to the original Retail Purchaser only, but to no other person. Should a mechanical part failure occur the replacement SDUUV ZLOO EH VHQW WR WKH RULJLQDO UHWDLO SXUFKDVHU ZKHUH ZH WKHQ DGGLVH WKH\ DUH ç WWHG E\ D SURIHVVLRQ

All Fortessa Levers are tested for corrosion resistance properties. This test is performed using salt atomized spray. It is important that our levers are installed in the correct environment for their FODVVL\FDWLRQ FDWHJRUL\ 7R PD[LPLVH \RXU HQMR\PHQW RI RXU /HYHUV DQG IRU WKH JXDUDQWHH WR SURYLGH FRYHU DFFRUGLQJ WR WKH &DUH\ QVWUXFWLRQV /HYHUV PXVW EH LQVWDOOHG DFFRUGLQJ WR WKH UHOHYDQW FDWHJRUL\ RI XVH



Fortessa is exclusively Distributed in Ireland by

Building Solutions

Unit 3 Allied Industrial Estate, Kylesmore Road, Dublin 10. T: +353 1 6426600 • E: sales@laydex.ie

