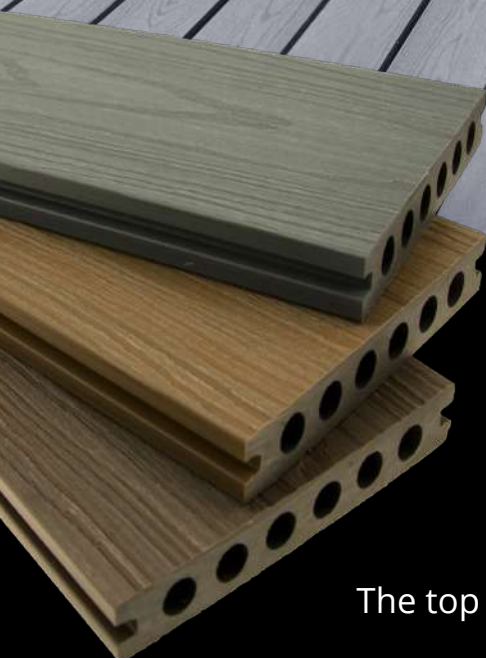
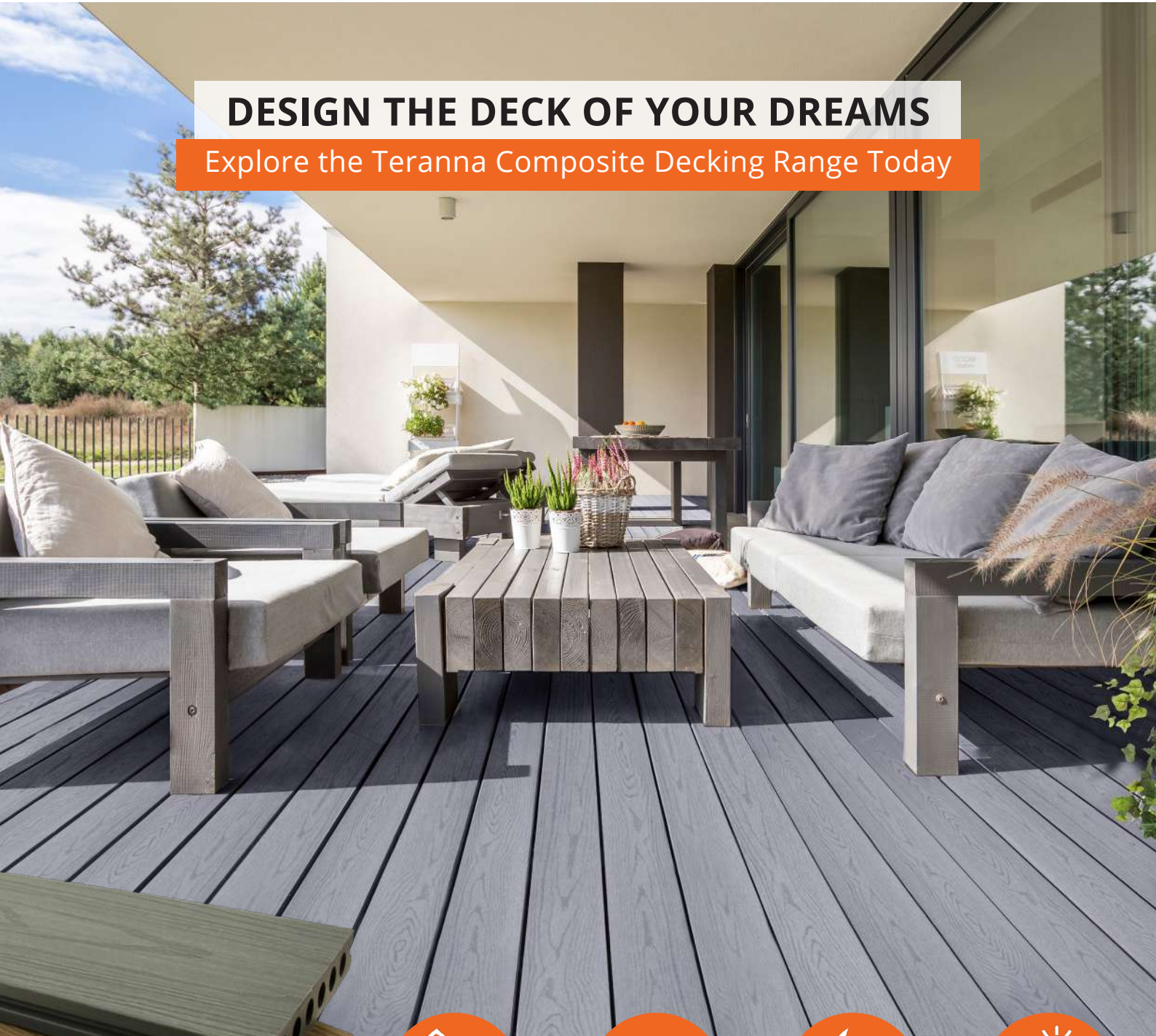


# **TERANNA** COMPOSITE DECKING

**DESIGN THE DECK OF YOUR DREAMS**

Explore the Teranna Composite Decking Range Today



**MADE FROM  
100% RECYCLED  
MATERIALS**



**SLIP  
RESISTANT**



**FIRE  
RATED**



**MAINTENANCE  
FREE**

The top choice for eco-friendly and low maintenance Composite Decking.



## CONTENTS

What is Composite Decking	3
Eco-Friendly Composite Decking	4 - 5
Why Choose Teranna	6
Teranna Application Guide	7
Ever-Deck Range	8 - 11
Ever-Shield Range	12 - 15
Installation Manual	16 - 17
Accessories	18
Maintenance	18
FAQs	19



**SAMPLE SWATCHES**  
available at every Teranna Stockist

## GET YOUR DECK READY FOR THIS SEASON

Before you decide, come to see and feel TERANNA Composite Decking samples at your nearest retailer.

Find the perfect colour and finish to enhance your outdoor space.

## FIND YOUR NEAREST STOCKIST



Call us

**01 642 6600**

# WHAT IS COMPOSITE DECKING

## Why is Composite Decking the Best for Ireland?

On those treasured sunny days, there is nothing nicer than sitting out on your deck. A deck is the perfect place for a quiet cuppa in the morning. In the evening, it is the ideal spot to gather with friends for a barbecue.

**But what about the other days when it rains?** The Irish climate means that, often, your deck will be wet. That causes two major problems for wood decks. First, it can make a wooden deck surface slippery. Second, it causes the wood to rot, shortening the life of your deck's surface. Given those drawbacks, it is reasonable to question if a deck is a good idea in Ireland.

Are those days sitting in the fresh air worth the days you will spend refinishing or repairing it as the weather takes its toll?

Wooden decks have long been the norm in Ireland. But there is an alternative, an option that gives you a slip-resistant surface and a longer lifespan. The bonus is that it is also lower maintenance. **Teranna Composite decking** offers the benefits of a deck without the usual downsides of having a deck in Ireland.

### What is Composite Decking?

Composite decking is made from high density polyethylene and recycled wood fibre, with its raw material composition of recycled woods and plastics making it environmentally friendly.

A UV stabilizer has been added to the product to ensure decking boards are fade free. This will also prevent mould and mildew from penetrating and degrading the boards over time.

**Teranna Composite decking will generally last over 20 years in outdoor conditions.**

### What are the Advantages over Timber?

#### 1 SUITED TO A DAMP CLIMATE

Composite is **slip-resistant and rot-resistant**. It's safer, which matters if small children will be running and playing on your deck or if anyone who is frail or unsteady on their feet will be using it.

#### 2 BETTER VALUE FOR MONEY OVER THE LONG TIME

Although the initial cost of composite decking can be higher, the maintenance costs are significantly less than timber and so, composite decks can end up paying for itself in under 10 years.

#### 3 NO STAINING OR PAINTING

Unlike timber, composite doesn't require regular staining or painting. Additionally, as the decking is designed to be **hard-wearing**, the cleaning process requires less time and effort than timber decking.



# ECO-FRIENDLY COMPOSITE DECKING

Attractive & Sustainable Choice

We Care about the Environment

**OUR MAIN OBJECTIVES ARE:**

To ensure our products exceed expectation

To create innovative products

To constantly improve our technology

To minimise wastage in our manufacturing process

To conserve precious natural resources

To lead the way with innovation and creativity



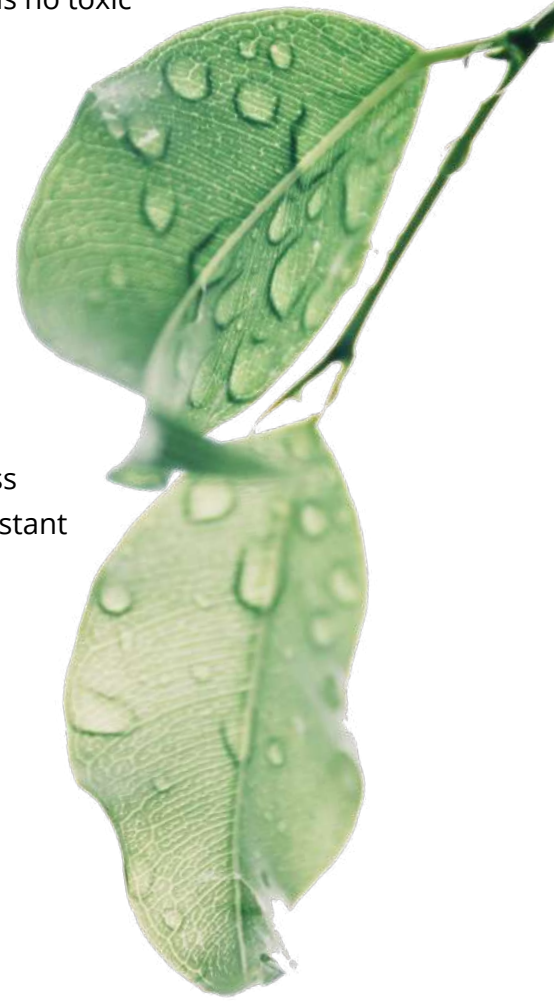
**TERANNA Composite Decking**  
is made entirely from recycled  
wood and plastics.

## Environmentally Friendly and 100% Recyclable

Teranna Composite Decking is an environmentally friendly product thanks to its **raw material composition of recycled wood and plastics** and provides an attractive yet durable surface for a range of domestic and commercial applications. Teranna contains no toxic chemicals or preservatives.

Composite decking is an innovative product that acts as a perfect alternative to traditional timber decking that requires a lot of work in order to maintain its attractive appearance.

Teranna Composite Decking boards are available in two ranges: **Ever-Deck and Ever-Shield** and provide your deck, balcony or terrace with a maintenance free, slip resistant surface that will look better for longer.



- ✓ TERANNA utilises a unique, environmentally friendly process to turn recycled wood and plastic into strong, moisture resistant boards that are natural-looking, durable and high quality
- ✓ Full resistance to corrosion, moulds and fungi
- ✓ The boards never have to be sealed, stained or painted
- ✓ This type of decking is far more slip-resistant than traditional materials
- ✓ Composite boards don't warp or fade in the sun
- ✓ No splinters or cracks (unlike traditional decking)
- ✓ Suits all styles and budgets whilst maintaining an attractive appearance



# WHY CHOOSE TERANNA

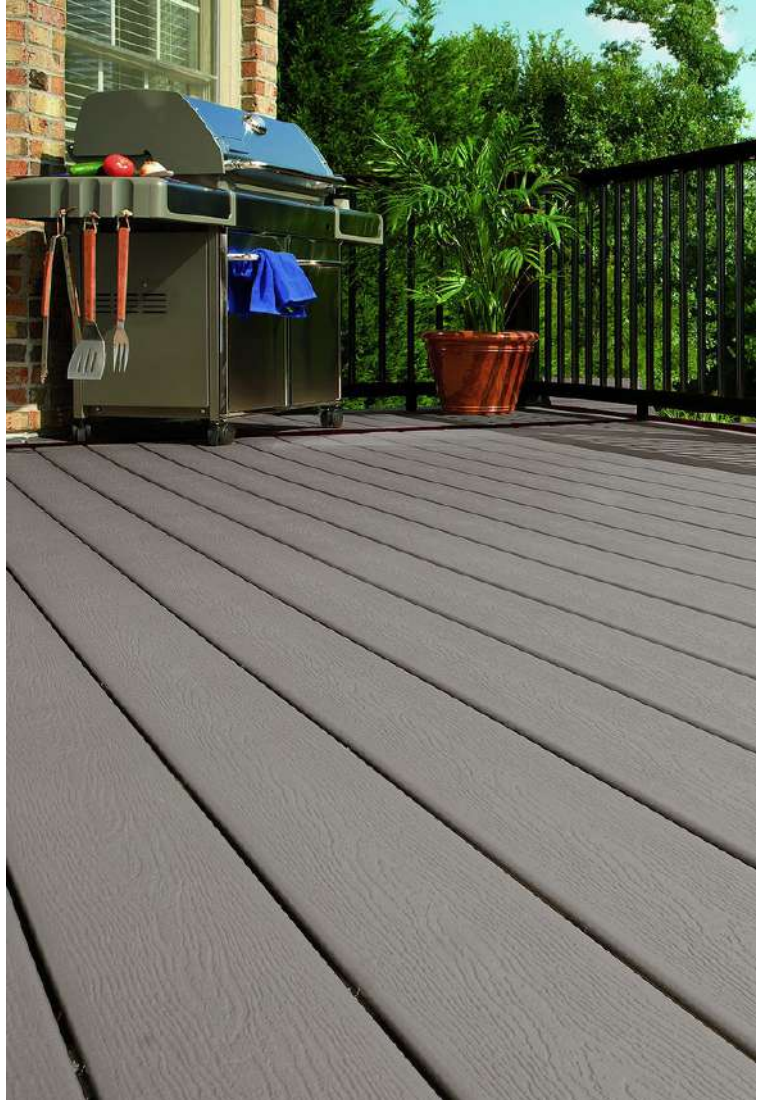
## 6 Advantages of Teranna Composite Decking

Teranna Decking is a great alternative to timber decking. It will withstand all types of harsh weather conditions and will create a comfortable, attractive external living space.

When you're making the significant investment to your home that a deck entails, it's important to consider the time and cost you will spend maintaining a timber deck, rather than enjoying it. Teranna requires minimal maintenance - **no need for painting, staining or sealing!**

Teranna Decking is **slip resistant** and is produced to BS standard 7976 part II. Also, Teranna is environmentally friendly and has the perfect balance of quality and sustainability.

Last but not least, Teranna Composite Decking is splinter-free as well, so relax, kick off your shoes and enjoy!



### OUTSTANDING APPEARANCE & FEEL UNDER FOOT

- Natural feel & wood touch
- Broad range of finishes and appearance
- Multicolor



### DIMENSIONAL STABILITY

- Tested to remain crack free in temperatures between -40°C to +60°C



### MATERIAL QUALITIES

- Low flame spread
- High slip resistance
- Contains no toxic chemicals or preservatives
- Environmental friendly and 100% recyclable



### LONGEVITY

- Expected life span in excess of 20 years



### INSTALL & MAINTAIN EASILY

- Easy and quick to install
- No need for staining & water sealant
- No painting needed



### HIGH STRENGTH

- Excellent screw and nail retention
- High impact resistance
- Great compressive-tensile shear strength
- Superior modulus of elasticity

# TERANNA APPLICATION GUIDE

## Suitable for Almost Every Environment

Whether being used for residential or commercial purposes, Teranna boards are designed to be easy to clean and maintain with minimal effort.

This environmentally friendly product provides an attractive yet durable surface, suitable for a range of applications. Although the decking requires little attention during its lifespan, it will require a small level of maintenance in every environment.

- 1 Deck of Family Home
- 2 Garden & Outdoor Living Space
- 3 Balcony & Veranda
- 4 Recreational Areas
- 5 Outdoor Public Terrace - Restaurant, Cafe, Bar
- 6 Hospitality
- 7 Social Housing
- 8 Swimming Pool

### ULTRA PROTECTION

Resists stains, scratches, spills and fade

### FIRE RATING

No flame spread

### WEATHER RESISTANT

No water absorption, resistance to low and high temperature



# GROOVED DESIGN

## Reversible Boards

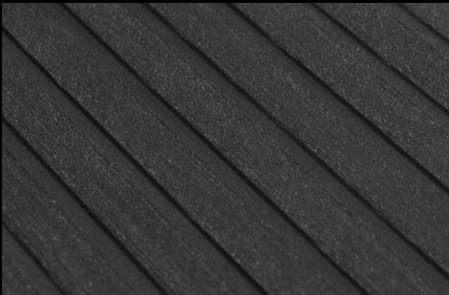
Teranna Ever-Deck range is available in 3 standard colours that will cater for all tastes and will create an attractive external living space in your home. It boasts excellent safety characteristics most notably it's excellent anti-slip ratings.

Ever-Deck comes with **double sided grooves** and has a very wide range of applications ranging from small balconies and verandas; through to the decks of family homes and large commercial projects such as swimming pools and recreational areas.

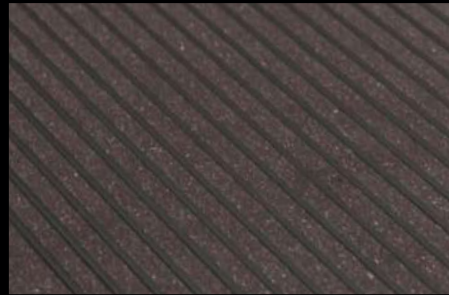
### DOUBLE SIDED BOARDS

The composite technology ensures durability and high resistance to abrasion, external mechanical forces and biological agents such as salt and chlorine. There is no need for any impregnation, and yet Ever-Deck boards won't lose their properties over time.

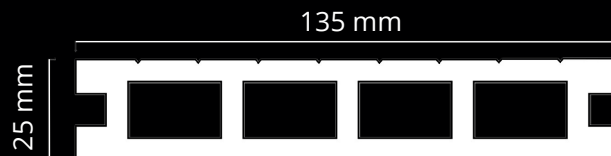
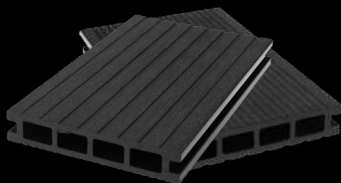
#### GRAPHITE



#### DARK BROWN



#### LIGHT BROWN



Weight: 2.52 kg/m  
3.6 m long



#### RESISTANT TO FUNGI, LICHENS AND INSECTS

- Teranna is fungi and lichens resistant and does not attract insects.



#### RESISTANT TO UV RAYS

- Through the use of high quality pigments and UV filter additive, we have obtained unprecedented colour depth of our products.



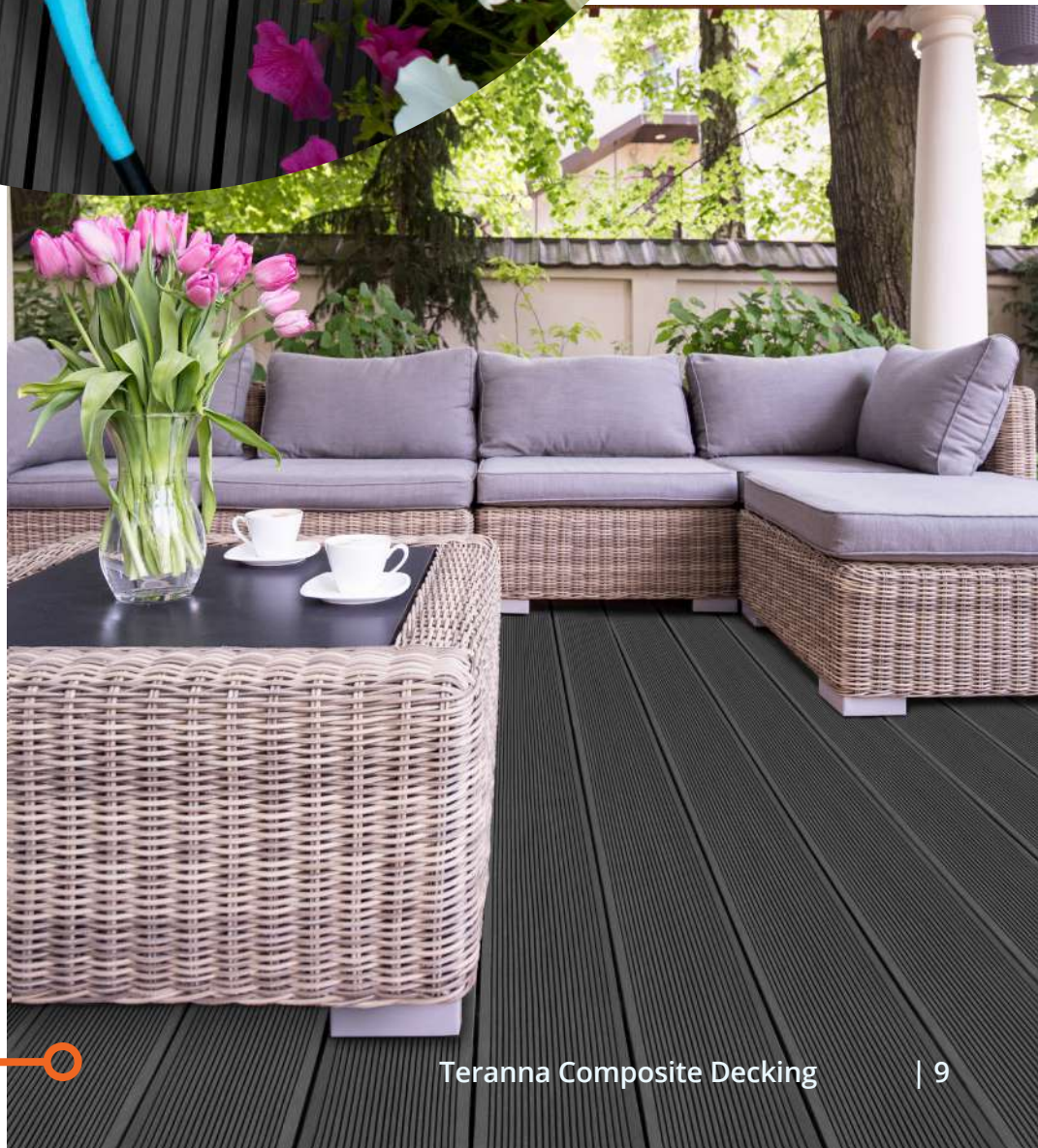
#### NON-SLIP SURFACE

- Highly durable material with exceptional anti-slip properties to BS Standard 7976 part II.





**EVER-DECK GRAPHITE**





### **FIRE RATED**

- The product is made of safe materials which allow a Class B Fire Rating to be achieved.



### **GREAT VALUE**

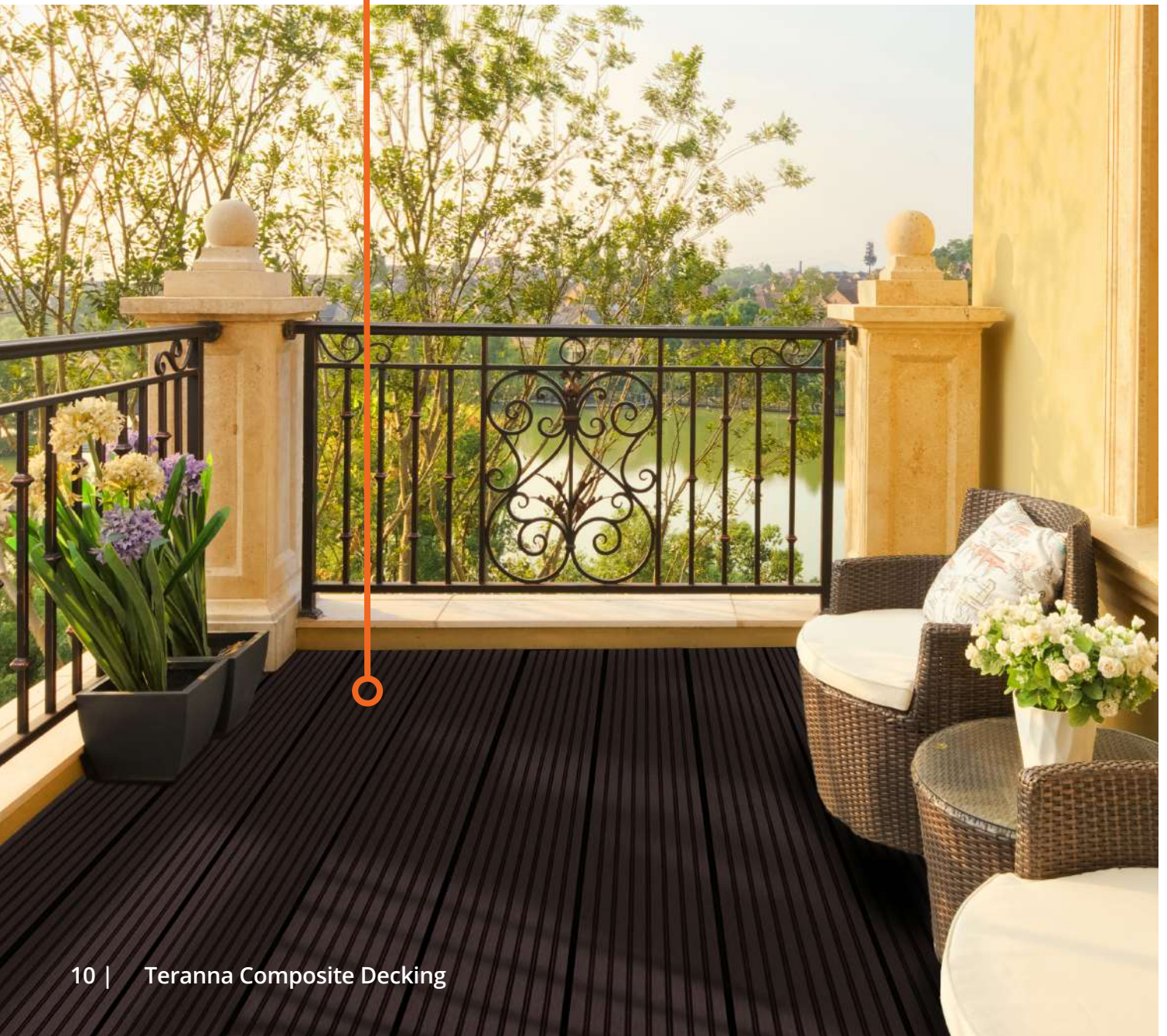
- No annual oiling required.
- No need for maintenance and painting.
- Saves money and time.



### **WEATHER RESISTANT**

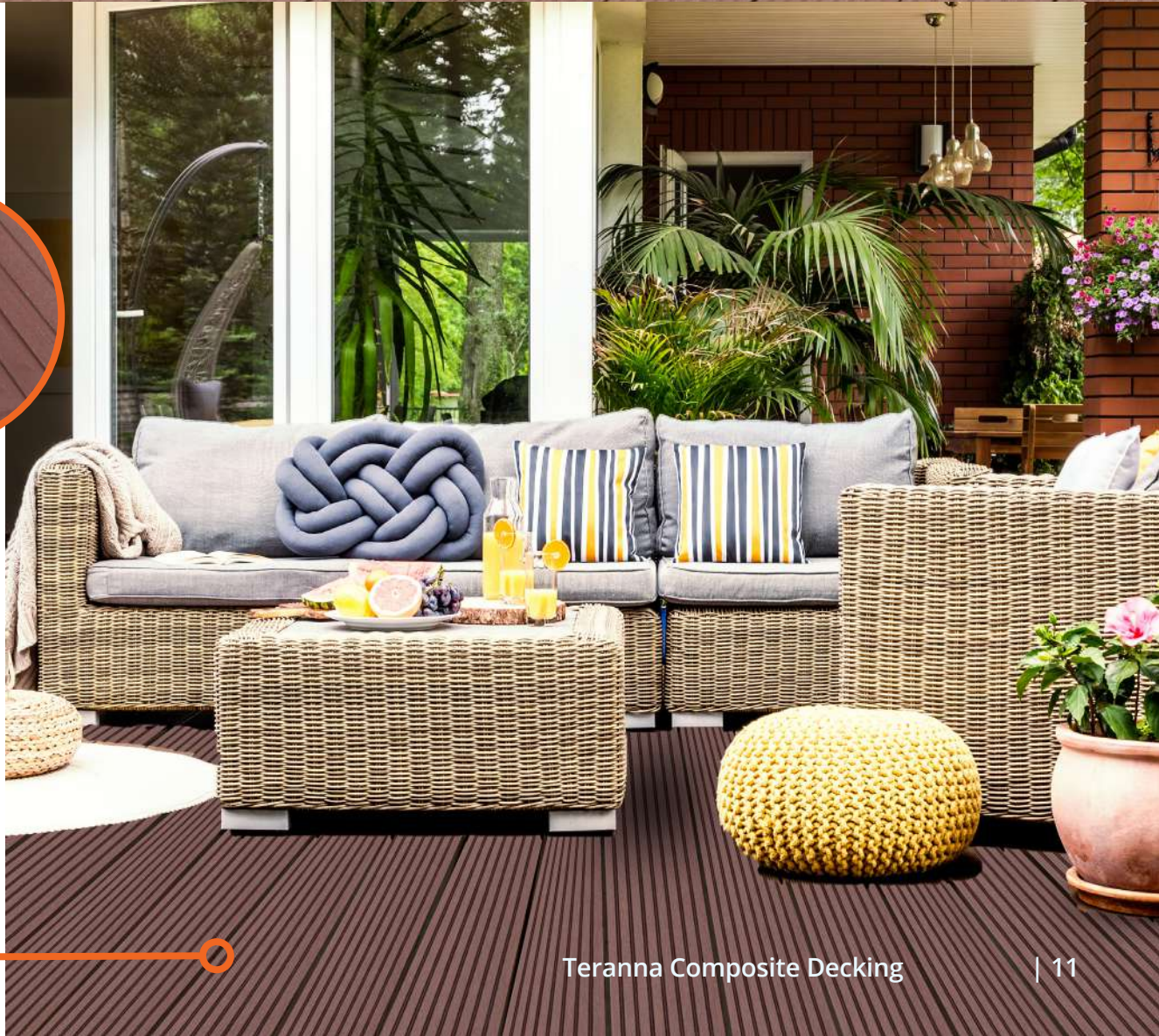
- Suitable for all weather conditions, low and high temperatures.

## **EVER-DECK DARK BROWN**





EVER-DECK LIGHT BROWN



# THE BEAUTY OF WOOD

## Eco-Friendly Choice

Teranna Ever-Shield is authentic timber effect decking, which retains its beauty for decades. Slip resistant, easy to install, reliable, and safe, Teranna creates outdoor settings where people love to spend time.

The Ever-Shield range protective shield looks and feels like natural wood. It's the latest innovation in composite decking providing an aesthetically beautiful product that performs to the highest standards. It's center consists of a unique blend of **recycled environmentally friendly raw materials** that ensure superior product performance without harming the environment.

Ever-Shield won't splinter or crack making your home barefoot safe. Teranna is also resistant to rot, cracking or insect damage. It requires low maintenance with no need for painting, staining or sealing.

Available in several colors to suit any taste and complement any exterior. Ever-Shield will look like new for years.

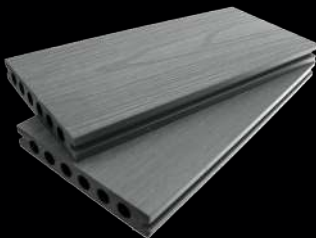
### SILVER GREY



### TEAK



### WALNUT



Weight: 3.13 kg/m  
3.6 m long



#### ECO-FRIENDLY

- Teranna is made from recycled materials and can be recycled.



#### NATURAL WOOD LOOK

- Looks and feels like natural wood.
- Available in 3 colours.



#### PROVEN PERFORMANCE

- High performance thanks to advanced engineering.



## EVER-SHIELD TEAK



### ULTRA PROTECTION

- The shield gives the boards superior protection.



### HIGH QUALITY

- Made of high quality materials, ensures durability and resistance.

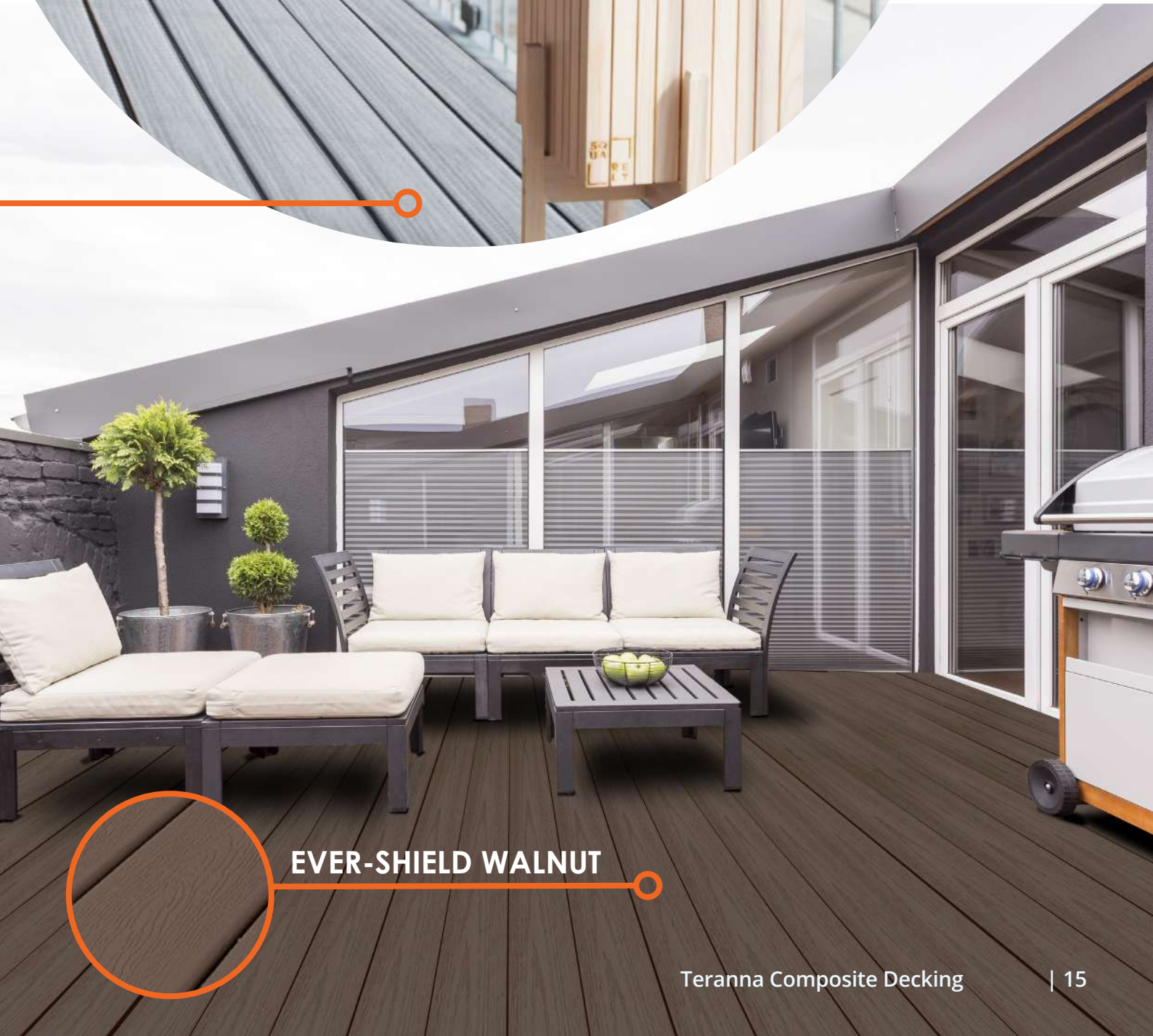


### AFFORDABLE

- TERANNA Composite Decking boards are affordable.



**EVER-SHIELD SILVER GREY**



**EVER-SHIELD WALNUT**

# PLANNING AND INSTALLING

## How to Install Composite Decking

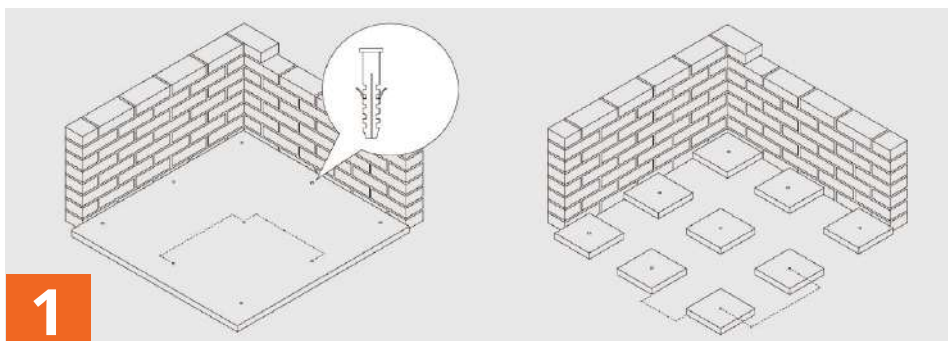
As with other building work it is important to work safely and to take suitable safety precautions including the wearing of protective clothes, gloves, safety goggles and dust mask.

### Before Begging the Work

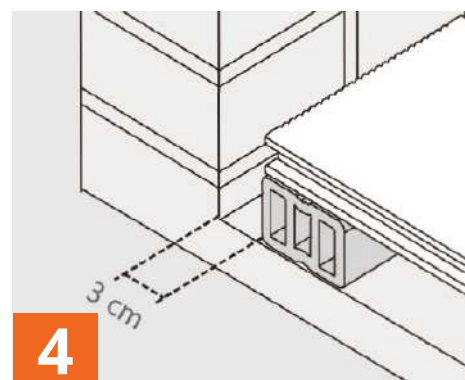
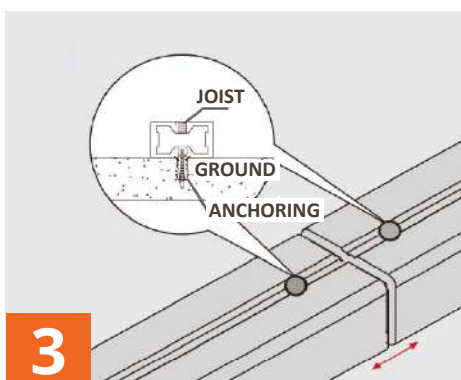
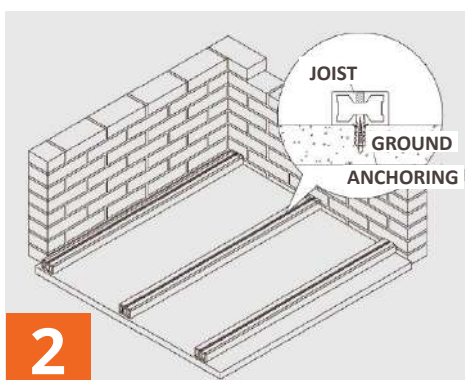
Having taken delivery of your boards, we recommend you allow them a day to adjust to your local temperature and conditions before starting work. We do not recommend installing your deck in cold weather.

Your decking boards can be worked with normal woodworking tools. We recommend using a wood saw with a fine-tooth blade to cut boards to size. When cutting, care should be taken to ensure that boards are properly supported.

### Installation



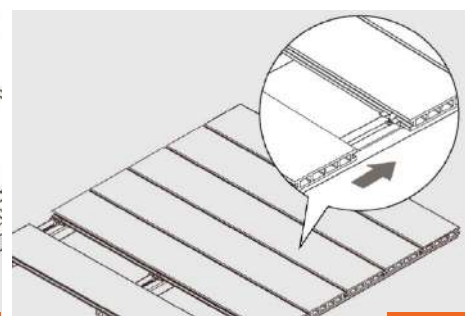
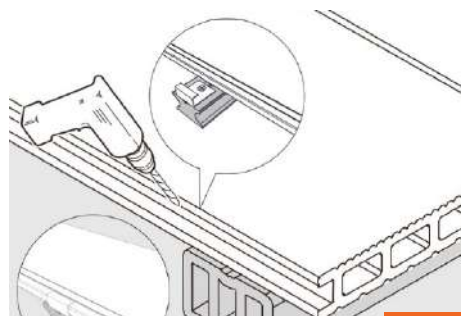
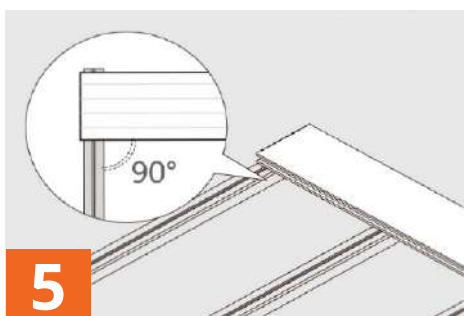
Punching holes  $\Phi 6$  in the installation area with impact drill. Recommended width ways and lengthways distance between two holes is 350mm. Knock the plastic expansion pipe  $\Phi 6$  into the holes and make sure it is tight enough and will not expose.



Take expansion pipes as centre line and lay the joists (cut if necessary) on the line. Drill corresponding holes in the joists and fix the screws into the expansion pipes through the holes.

Extra fixing of expansion blots are necessary on both joists near juncture. The holes should be at least 3cm to the end of joist.

Allowing for the expansion and maintenance, sufficient distance around your terrace and by obstructions such as walls, fences, trees, etc. should be at least 3cm.

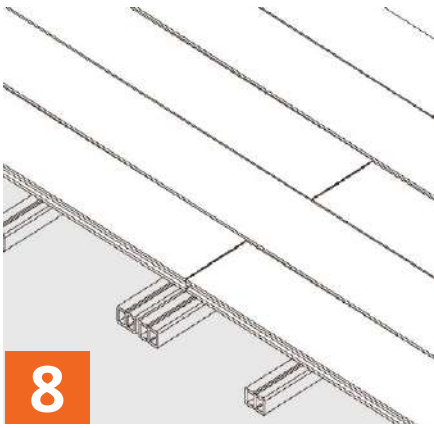


Put first Decking planks on vertical way of joists, fasten the first plank by starting clips at outside of decking. The position and direction of first plank should be accurate guaranteed to be the reference for the following planks.

First Plank should be fasten by starting clips.

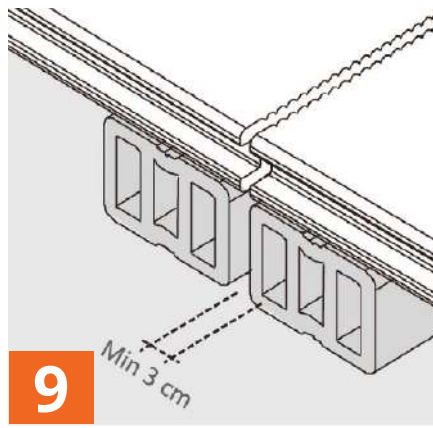
Place the stainless steel clips in the right position and screw it. Insert the second Plank into the clips then repeat this process.





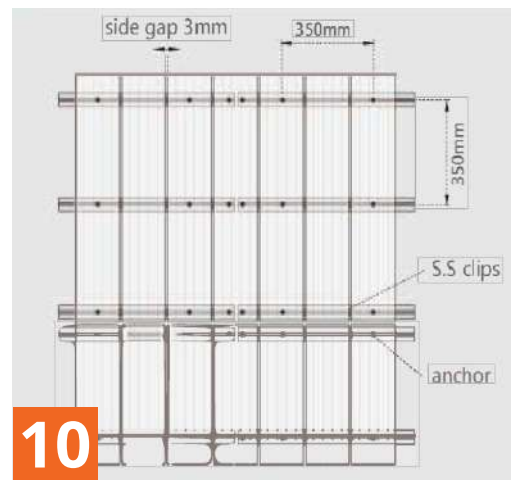
8

Two joists are needed for each plank at the jointure.



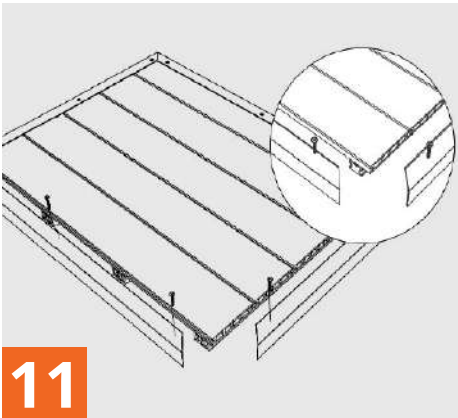
9

In case of the deformation caused by temperature change, joists should not be too tightly connected. We recommend the distance between two joists is 3cm.



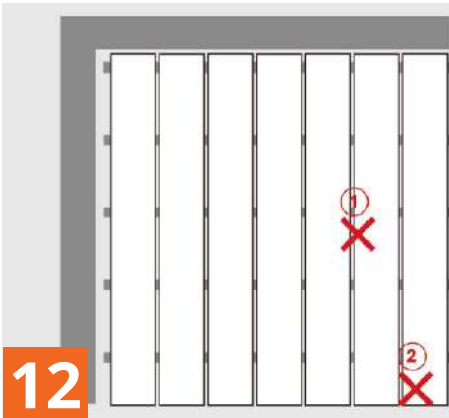
10

Review of the whole decking system.



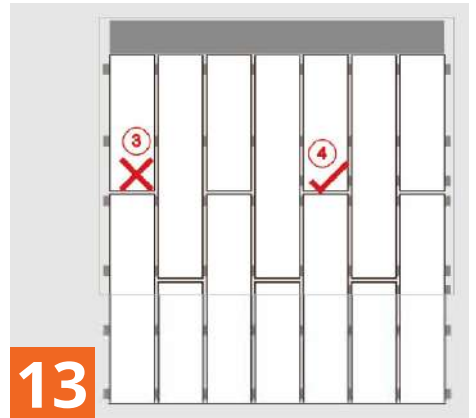
11

Fasten the finishing strip with screws.



12

(1) Single deck should not be over 4000 mm.  
(2) The end edge of the deck are too far away from the joist.



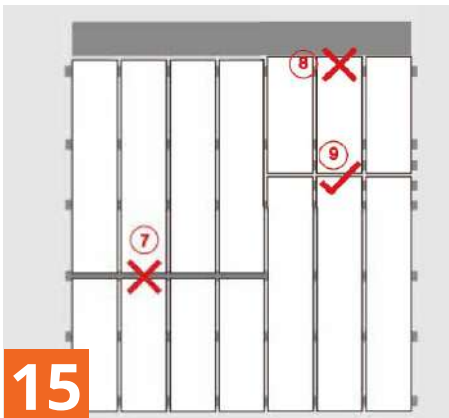
13

(3) Two joists are not used for each plank at the jointure.  
(4) Two joists are needed for each plank at the jointure.



14

(5) Two joists are needed for each plank at the jointure.  
(6) The space for each plank at the jointure should be over 3mm.



15

(7) Two joists are not used for each plank at the jointure.  
(8) The end edge of the deck should not be too close to the wall.  
(9) Two joists are needed for each plank at the jointure and with right space between two decks.



# ACCESSORIES

## A Range of Decking and Railing Accessories



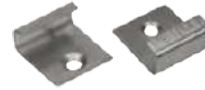
JOISTS



WOOD PLASTIC  
SEALED EDGE



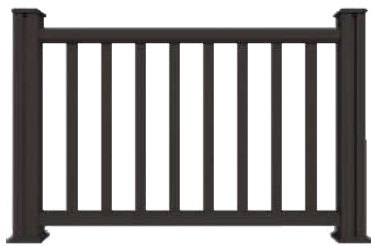
ALUMINIUM  
SEALED EDGE



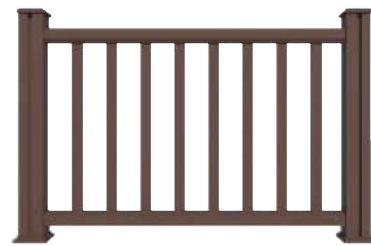
STAINLESS STEEL  
START CLIPS



STAINLESS STEEL  
CLIPS



GRAPHITE RAILING AND POSTS



DARK BROWN RAILING AND POSTS

# CARE AND MAINTENANCE

## How to Clean and Maintain Composite Decks

All exterior building products require periodic cleaning and Teranna is no different – thankfully Teranna requires very little! Cleaning will help to maintain the beauty and longevity of your deck and is a simple way of protecting your investment. We recommend you wash your deck once a year (in spring or summer) with water and soap (using a scrub brush if possible following the grooves in the boards).

It's recommended to use a blade to clean the space between each board to maintain good drainage and ventilation. For more information of maintenance, please refer to the table below.

### SCRATCH

Slight scratches don't matter and won't impact on the appearance of your decking. A light metal brush or a medium grade sanding paper can be used if you insist on removing such scratches.

### GENERAL DIRT & DEBRIS

The affected area should be sprayed with a hose to remove surface debris. Use warm soapy water and a soft bristle brush to remove dirt and debris from the embossing pattern.

### ICE & SNOW

A plastic shovel should be used to remove snow from your deck. Use calcium, chloride or rock salt to melt the snow and ice from the deck surface.

### OIL / GREASE / FOOD

All food spills should be removed as soon as possible. The surface must be cleaned within seven days to maintain the stain warranty. To remove, spray off with a hose and use warm, soapy water and a soft bristle brush to remove spills from the embossing pattern.

### MOULD & MILDEW

If debris such as pollen and dirt is allowed to remain on the deck surface long term, mould can form and attack the protective layer. Using a hose and warm soapy water with a soft bristle brush, it is recommended to remove the mould.

# FREQUENTLY ASKED QUESTIONS

## What is the composite decking made of?

Our decking is manufactured from HDPE (high density polyethylene) and recycled wood fibre. Unlike other composite decking products, our technology will prevent mould and mildew from penetrating and degrading the boards.

## How many colors are available?

Ever-Deck in 3 colours and Ever-Shield in 3 colours.

## Can I get a matching railing system?

Yes, please contact us for further information.  
Email: [sales@laydex.ie](mailto:sales@laydex.ie)  
Phone: +353 1 642 6600

## What spacing is required for my joists?

The joists are to be spaced no further than 16" (400mm) on centre for standard installations and 12" (300mm) on centre for commercial applications. All stairs should be built 12" on centre.

## How much more does composite decking cost compared with timber?

Composite decking is slightly more expensive than timber, but reduced maintenance costs add up to a greater value than timber – not to mention the value of all the time you get to spend enjoying your deck rather than working on it.

## How does the product fade over time?

There is a high quality UV stabilizer added to the product to make it fade resistant. Any colour fading that occurs is barely noticeable to the human eye.

## What lengths are available?

Deck boards are available in 3.6 meter lengths.

## Can I install Teranna Composite Decking myself?

Our composite decking is one of the easiest materials to install. Should be easy to install for both DIY enthusiasts and builders alike.

## What is the lifespan of Teranna?

Expected lifespan in excess of 20 years under the condition of outdoor weather.

## Is there any guarantee with the decking products?

Yes, there's a 15-year guarantee for Ever-Shield and 10-year guarantee for Ever-Deck decking boards.

## Can I recycle decking boards when I decide to replace them?

Of course. Teranna Composite Decking boards are 100% recyclable.

## How do I clean my deck?

The simplest method is to wash the deck with a mild soap and water, power washing offers excellent results as well.



## EVER-DECK



DARK BROWN



GRAPHITE



LIGHT BROWN

## EVER-SHIELD



WALNUT



TEAK



SILVER GREY

# TERANNA COMPOSITE DECKING



For more inspiration:



@TerannaDecking



Unit 3, Allied Industrial Estate, Kylemore Road, Dublin 10  
01 642 6600 sales@laydex.ie www.laydex.ie