

DuPont de Nemours (Luxembourg) S.à r.l.

Rue General Patton
L-2984
Luxembourg

Tel: 01275 337660 Fax: 01275 879773
e-mail: tyvek.construction@lux.dupont.com
website: www.tyvekhome.com



Agrément Certificate
90/2548
Product Sheet 8

TYVEK CONSTRUCTION MEMBRANES

TYVEK FIRECURB HOUSEWRAP

This Agrément Certificate Product Sheet⁽¹⁾ relates to TYVEK FireCurb HOUSEWRAP, a fire-rated, high-density polyethylene breather membrane for use in timber-frame wall construction.

(1) Hereinafter referred to as 'Certificate'.

CERTIFICATION INCLUDES:

- factors relating to compliance with Building Regulations where applicable
- factors relating to additional non-regulatory information where applicable
- independently verified technical specification
- assessment criteria and technical investigations
- design considerations
- installation guidance
- regular surveillance of production
- formal three-yearly review.



KEY FACTORS ASSESSED

Weathertightness — the product will contribute to protecting a wall against water penetration (see section 6).

Risk of condensation — the product has a low resistance to water vapour transmission and will reduce the risk of interstitial condensation (see section 7).

Strength — the product has adequate strength to resist the loads associated with the construction of the wall (see section 8).

Properties in relation to fire — the product has an enhanced performance in relation to Reaction to Fire Classification (see section 9).

Durability — the product will have a life equal to that of the building in which it is installed (see section 11).

The BBA has awarded this Certificate to the company named above for the product described herein. This product has been assessed by the BBA as being fit for its intended use provided it is installed, used and maintained as set out in this Certificate.

On behalf of the British Board of Agrément

Date of First issue: 10 September 2015

John Albon — Head of Approvals
Construction Products

Claire Curtis-Thomas
Chief Executive

The BBA is a UKAS accredited certification body — Number 113. The schedule of the current scope of accreditation for product certification is available in pdf format via the UKAS link on the BBA website at www.bbacerts.co.uk

Readers are advised to check the validity and latest issue number of this Agrément Certificate by either referring to the BBA website or contacting the BBA direct.

British Board of Agrément
Bucknalls Lane
Watford
Herts WD25 9BA

tel: 01923 665300
fax: 01923 665301
clientservices@bba.star.co.uk
www.bbacerts.co.uk

©2015

Regulations

In the opinion of the BBA, TYVEK FireCurb HOUSEWRAP, if installed, used and maintained in accordance with this Certificate, can satisfy or contribute to satisfying the relevant requirements of the following Building Regulations (the presence of a UK map indicates that the subject is related to the Building Regulations in the region or regions of the UK depicted):



The Building Regulations 2010 (England and Wales) (as amended)

Requirement:	C2(b)	Resistance to moisture
Comment:		The product will contribute to a wall meeting this Requirement. See section 6.1 of this Certificate.
Requirement:	C2(c)	Resistance to moisture
Comment:		The product can contribute to limiting the risk of interstitial condensation. See section 7.1 of this Certificate.
Regulation:	7	Materials and workmanship
Comment:		The product is acceptable. See section 11 and the <i>Installation</i> part of this Certificate.



The Building (Scotland) Regulations 2004 (as amended)

Regulation:	8(1)	Durability, workmanship and fitness of materials
Comment:		The product is acceptable. See section 11 and the <i>Installation</i> part of this Certificate.
Regulation:	9	Building standards applicable to construction
Standard:	3.10	Precipitation
Comment:		The product will contribute to a wall satisfying clauses 3.10.1 ⁽¹⁾⁽²⁾ and 3.10.5 ⁽¹⁾⁽²⁾ of this Standard. See section 6.1 of this Certificate.
Standard:	3.15	Condensation
Comment:		The product can contribute to limiting the risk of interstitial condensation, with reference to clauses 3.15.1 ⁽¹⁾⁽²⁾ and 3.15.5 ⁽¹⁾⁽²⁾ of this Standard. See section 7.1 of this Certificate.
Standard:	7.1(a)	Statement of sustainability
Comment:		The product can contribute to meeting the relevant requirements of Regulation 9, Standards 1 to 6 and therefore will contribute to a construction meeting a bronze level of sustainability as defined in this Standard.
Regulation:	12	Building standards applicable to conversions
Comment:		All comments given for this product under Regulation 9, Standards 1 to 6 also apply to this Regulation, with reference to clause 0.12.1 ⁽¹⁾⁽²⁾ and Schedule 6 ⁽¹⁾⁽²⁾ . (1) Technical Handbook (Domestic). (2) Technical Handbook (Non-Domestic).



The Building Regulations (Northern Ireland) 2012 (as amended)

Regulation:	23(a)(i)(iii)(b)(i)	Fitness of materials and workmanship
Comment:		The product is acceptable. See section 11 and the <i>Installation</i> part of this Certificate.
Regulation:	28(b)	Resistance to moisture and weather
Comment:		The product will contribute to a wall satisfying this Regulation. See section 6.1 of this Certificate.
Regulation:	29	Condensation
Comment:		The product will contribute to a wall satisfying this Regulation. See section 7.1 of this Certificate.

Construction (Design and Management) Regulations 2015

Construction (Design and Management) Regulations (Northern Ireland) 2007

Information in this Certificate may assist the client, Principal Designer/CDM co-ordinator, designer and contractors to address their obligations under these Regulations.

See section: 1 *Description* (1.2) of this Certificate.

Additional Information

NHBC Standards 2014

NHBC accepts the use of TYVEK FireCurb HOUSEWRAP, provided it is installed, used and maintained in accordance with this Certificate, in relation to *NHBC Standards*, Chapter 6.2 *External timber framed walls*.

CE marking

The Certificate holder has taken the responsibility of CE marking the product, in accordance with harmonised European Standard EN 13859-2 : 2014. An asterisk (*) appearing in this Certificate indicates that data shown are given in the manufacturer's Declaration of Performance.

Technical Specification

1 Description

1.1 TYVEK FireCurb HOUSEWRAP is a non-woven, high-density polyethylene breather membrane, with enhanced fire performance compared with TYVEK HOUSEWRAP (see Product Sheet 1).

1.2 The product has the nominal characteristics of:

Thickness (mm)	0.175
Mass per unit area* (g·m ⁻²)	68
Roll length (m)	100
Roll width (m)	1.5
Hydrostatic head (m of H ₂ O)	1.3
Water vapour transmission — S _d * (m)	0.015
Watertightness*	
unaged	Class W1
aged ⁽¹⁾	Class W1
Tensile strength* (N per 50 mm)	
longitudinal	300
transverse	290
Elongation at maximum tensile force* (%)	
longitudinal	15
transverse	18
Nail tear* (N)	
longitudinal	45
transverse	40
Reaction to fire*	Class B-S1 ,d0 ⁽²⁾
Resistance to penetration of air (m ³ ·m ⁻² ·h ⁻¹ ·50 Pa)	< 2

(1) Aged in accordance with EN 13859-2 : 2010.

(2) Tested on mineral wool insulation and free hanging.

1.3 Air and Vapour Control Layers (AVCLs) can be used in conjunction with the product. See Product Sheets 4 and 5.

1.4 Ancillary items for use with the product include:

- TYVEK 2060B Tape — a single-sided tape for sealing joints
- TYVEK 1310D Tape — a double-sided acrylic tape for sealing joints.

2 Manufacture

2.1 The membrane is manufactured by spinning strands of high-density polyethylene and bonding them together with heat and pressure to form a flexible sheet. This is then treated with a halogen-free fire retardant.

2.2 As part of the assessment and ongoing surveillance of product quality, the BBA has:

- agreed with the manufacturer the quality control procedures and product testing to be undertaken
- assessed and agreed the quality control operated over batches of incoming materials
- monitored the production process and verified that it is in accordance with the documented process
- evaluated the process for management of nonconformities
- checked that equipment has been properly tested and calibrated
- undertaken to carry out the above measures on a regular basis through a surveillance process, to verify that the specifications and quality control operated by the manufacturer are being maintained.

2.3 The management systems of DuPont de Nemours (Luxembourg) S.à r.l. have been assessed and registered as meeting the requirements of BS EN ISO 9001 : 2008 by DQS GmbH (Certificate 463950 QM08).

3 Delivery and site handling

3.1 The membrane is delivered to site in rolls with paper wrappings bearing the marketing company's name, the grade identification, the technical specifications, installation instructions and the BBA logo incorporating the number of this Certificate.

3.2 Rolls should be stored on their side, on a smooth, clean surface, under cover and protected from sunlight.

Assessment and Technical Investigations

The following is a summary of the assessment and technical investigations carried out on TYVEK FireCurb HOUSEWRAP.

4 General

4.1 TYVEK FireCurb HOUSEWRAP is satisfactory for use as a breather membrane in walls of timber-frame constructions, either factory or site applied.

4.2 In the absence of other guidance, suitable timber-frame constructions are defined as those designed and built in accordance with *NHBC Standards*, Chapter 6.2.

4.3 The product meets the NHBC requirements for minimum water penetration resistance and minimum tear resistance in any direction for sites defined as 'very severe' exposure.

4.4 The membrane may be damaged by high winds, careless handling or vandalism, and should not be left exposed for longer than is absolutely necessary. Any damaged areas must be repaired or replaced before completion in accordance with section 14.

5 Practicability of installation

The product can be readily installed by operatives experienced with this type of product.

6 Weathertightness



6.1 The product resists liquid water penetration and wind-blown snow, and will protect the sheathing and frame from external moisture.

6.2 The period prior to the installation of the brickwork should be kept to a minimum. The membrane should not be used as a temporary waterproof covering during this time.

7 Risk of condensation



7.1 The product has a design resistance to water vapour transmission of less than $0.25 \text{ MN}\cdot\text{s}\cdot\text{g}^{-1}$ and is defined as a low resistance membrane (LR) in accordance with BS 5250 : 2011. It will therefore contribute towards minimising the risk of interstitial condensation in walls designed and constructed in accordance with BS 5250 : 2011, Annex G, Section G4.

7.2 The risk of condensation occurring within the wall of a timber-frame building will depend upon the properties and vapour resistance of other materials used in the construction, the internal and external conditions and the effectiveness of the internal vapour control layer.

7.3 Convective water transfer into the roof construction can be reduced by installing a vapour control layer/air barrier such as the DuPont AirGuard AVCLs behind the internal lining (see Product Sheets 4 and 5).

8 Strength

8.1 The product will resist the normal loads associated with construction and installation into a timber-frame building.

8.2 The product is not adversely affected by water and will retain its properties when wet.

9 Properties in relation to fire

9.1 The product is classified in accordance with EN 13501-1 : 2007 as a Class B-s1,d0⁽¹⁾ material when tested on a mineral wool insulation and free hanging.

(1) The fire classification elements are defined as follows:

Class B

Fire growth rate index tested to EN 13823 : 2002 – FIGRA < $120 \text{ W}\cdot\text{s}^{-1}$

Lateral flame spread tested to EN 13823 : 2002 – LFS < edge of specimen

Total heat release tested to EN 13823 : 2002 – THR600s < 7.5 MJ

flame height tested to EN ISO 11925-2 : 2010 – $F_s < 15 \text{ cm}$ within 60 seconds with a flaming time of 30 seconds.

s1 smoke production – a smoke growth rate SMOGRA < $30 \text{ m}^2\cdot\text{s}^{-2}$ and a total smoke production TSP 600 s < 50 m^2 .

d0 – no flaming droplets/particles in EN 13823 : 2002 and EN ISO 11925-2 : 2010, tests within 600 seconds.

9.2 Cavity barriers should be used to satisfy the requirements of the national Building Regulations.

10 Maintenance

As the product is confined within a wall construction and has suitable durability (see section 11), maintenance is not required.

11 Durability



The product will be unaffected by the normal conditions found in a timber-frame wall and will have a life equal to that of the building in which it is installed.

12 General

TYVEK FireCurb HOUSEWRAP must be installed in accordance with the Certificate holder's instructions and the recommendations given in *NHBC Standards*, Chapter 6.2, where appropriate.

13 Procedure

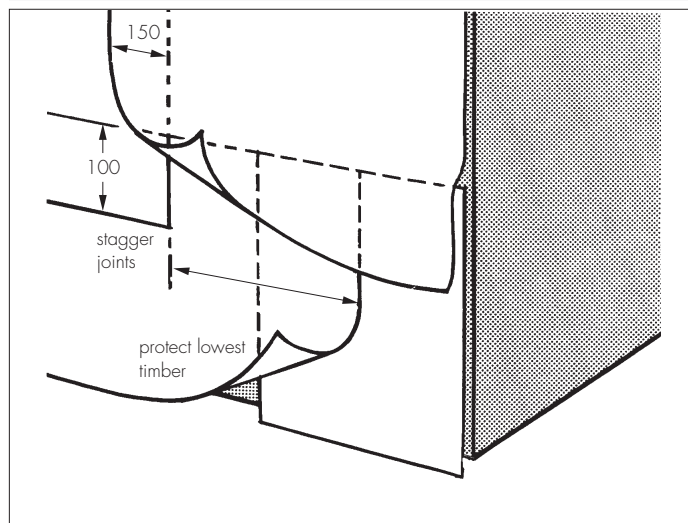
Lapping and jointing

13.1 The membrane should be fixed in such a way as to shed water away from the sheathing, and below the lowest timber. Upper layers should be lapped over lower layers.

13.2 Laps should be at least 100 mm and vertical laps 150 mm. Vertical laps should be staggered wherever possible (see Figure 1).

13.3 To assist in achieving the design air permeability the lap joints and penetrations through the underlay can be sealed with TYVEK 2060B Tape or TYVEK 1310D Tape (double-sided).

Figure 1 Laps (dimensions in mm)



Fixing

13.4 The membrane must be secured at regular intervals with nails and staples to prevent damage by wind (see Figures 2, 3 and 4).

Figure 2 Factory method of installation on timber-frame panel

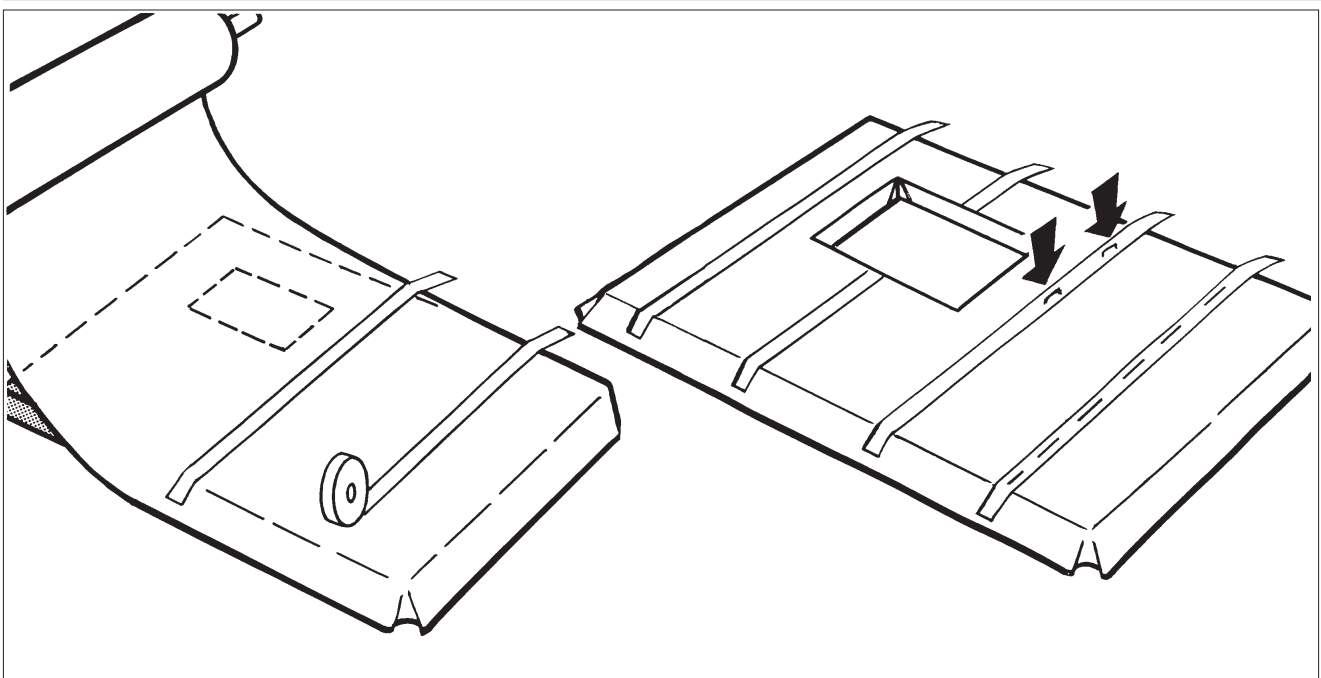


Figure 3 Site installation — external corner

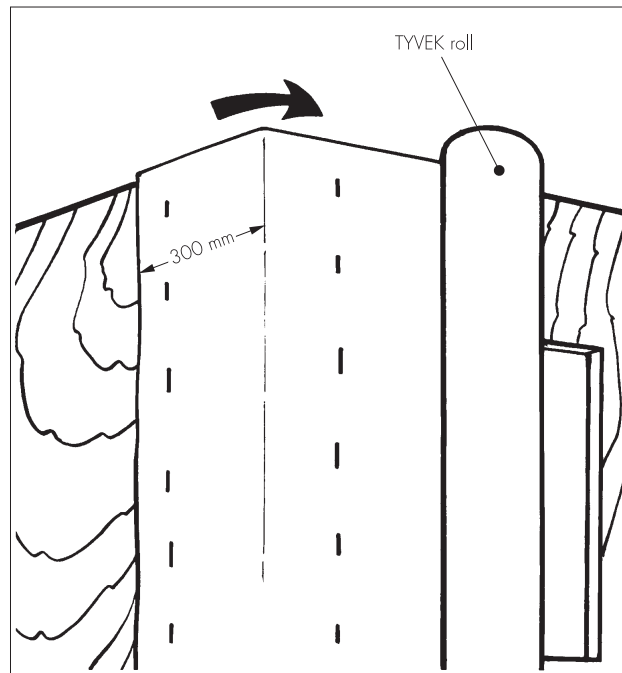
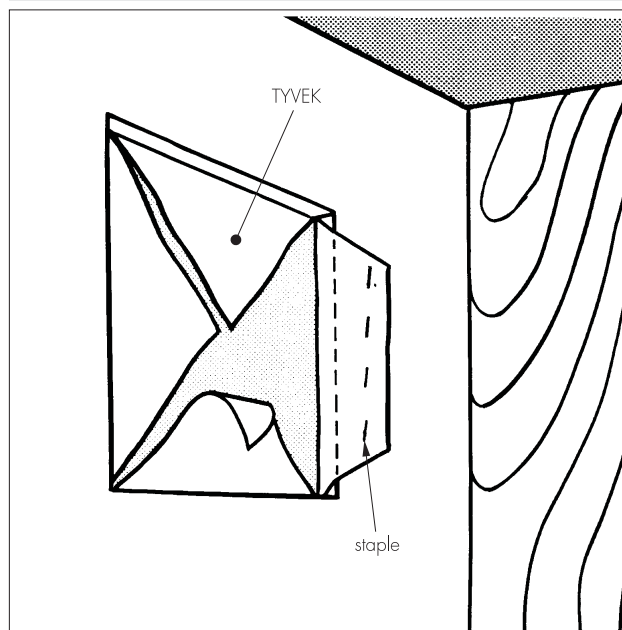


Figure 4 Site installation — opening



13.5 Nails should be of galvanized or sherardized mild steel, austenitic stainless steel, phosphor bronze or silicon bronze. Staples should be of austenitic stainless steel.

Marking stud positions

13.6 It is essential that the positions of studs are marked to enable wall tie fixing.

Lowest timbers

13.7 It is essential that the lowest timbers in the wall are protected by the breather membrane.

14 Repair

Damage to the membrane can be repaired prior to the installation of the external walls or cladding by laying another sheet over the damaged area and sealing it using TYVEK 2060B Tape, ensuring that water is shed away from the sheathing.

15 Tests

15.1 Test data from the non-fire enhanced equivalent grade TYVEK HOUSEWRAP was used to assess TYVEK FireCurb HOUSEWRAP in relation to:

- tensile strength and elongation
- resistance to tear
- dimensional stability
- resistance to water penetration
- water vapour transmission
- Mullen burst strength
- water immersion.

15.2 Data from tests on other grades of TYVEK membrane were used to assess the properties of:

- wet strength
- low temperature flexibility
- heat ageing
- UV ageing.

16 Investigations

16.1 An assessment was made test data relating to reaction to fire.

16.2 An assessment of practicability of installation using site visits for TYVEK membranes installed using the same techniques.

16.3 The manufacturing process was evaluated, including the methods adopted for quality control, and details were obtained of the quality and composition of the materials used.

Bibliography

BS 5250 : 2011 *Code of practice for control of condensation in buildings*

BS EN ISO 9001 : 2008 *Quality management systems — Requirements*

EN 13501-1 : 2007 + A1 : 2009 *Fire classification of construction products and building elements — Classification using test data from reaction to fire tests*

EN 13823 : 2002 *Reaction to fire tests for buildings — Building products excluding floors exposed to the thermal attack by a single burning item*

EN 13859-2 : 2014 *Flexible sheets for waterproofing — Definitions and characteristics of underlays — Underlays for walls*

EN ISO 11925-2 : 2010 *Reaction to fire tests subject to direct impingement of flame Part 2 : Single-flame source test*

17 Conditions

17.1 This Certificate:

- relates only to the product/system that is named and described on the front page
- is issued only to the company, firm, organisation or person named on the front page — no other company, firm, organisation or person may hold or claim that this Certificate has been issued to them
- is valid only within the UK
- has to be read, considered and used as a whole document — it may be misleading and will be incomplete to be selective
- is copyright of the BBA
- is subject to English Law.

17.2 Publications, documents, specifications, legislation, regulations, standards and the like referenced in this Certificate are those that were current and/or deemed relevant by the BBA at the date of issue or reissue of this Certificate.

17.3 This Certificate will remain valid for an unlimited period provided that the product/system and its manufacture and/or fabrication, including all related and relevant parts and processes thereof:

- are maintained at or above the levels which have been assessed and found to be satisfactory by the BBA
- continue to be checked as and when deemed appropriate by the BBA under arrangements that it will determine
- are reviewed by the BBA as and when it considers appropriate.

17.4 The BBA has used due skill, care and diligence in preparing this Certificate, but no warranty is provided.

17.5 In issuing this Certificate, the BBA is not responsible and is excluded from any liability to any company, firm, organisation or person, for any matters arising directly or indirectly from:

- the presence or absence of any patent, intellectual property or similar rights subsisting in the product/system or any other product/system
- the right of the Certificate holder to manufacture, supply, install, maintain or market the product/system
- actual installations of the product/system, including their nature, design, methods, performance, workmanship and maintenance
- any works and constructions in which the product/system is installed, including their nature, design, methods, performance, workmanship and maintenance
- any loss or damage, including personal injury, howsoever caused by the product/system, including its manufacture, supply, installation, use, maintenance and removal
- any claims by the manufacturer relating to CE marking.

17.6 Any information relating to the manufacture, supply, installation, use, maintenance and removal of this product/system which is contained or referred to in this Certificate is the minimum required to be met when the product/system is manufactured, supplied, installed, used, maintained and removed. It does not purport in any way to restate the requirements of the Health and Safety at Work etc. Act 1974, or of any other statutory, common law or other duty which may exist at the date of issue or reissue of this Certificate; nor is conformity with such information to be taken as satisfying the requirements of the 1974 Act or of any statutory, common law or other duty of care.