

# FLOOR IS THE NEW PLAYGROUND







# iD Inspiration **LOOSE-LAY**

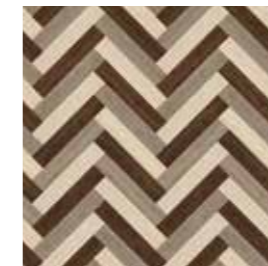
*Take a look at iD Inspiration Loose-lay collection with its unique herringbone anti-skid technology that provides stronger plank adherence and stability than other modular vinyl solutions. It also lets you mix and match from a wealth of great designs.*





# iD Inspiration LOOSE-LAY

Mix and match designs to create your own effect.  
Take a look at what we imagined.



## HYBRID HERRINGBONE

3 colours - Buy 1/3 of each colour\*

Uses models:

Limed Oak - Beige (24640 000)

Limed Oak - Grey (24640 001)

Limed Oak - Brown (24640 002)

Plank format (cm): 22.9 x 121.9



## GRAPHIC HERRINGBONE

3 colours - Buy 2/4 of Beige,  
1/4 of Grey, 1/4 of Brown\*

Uses models:

Limed Oak - Beige (24640 000)

Limed Oak - Grey (24640 001)

Limed Oak - Brown (24640 002)

Plank format (cm): 22.9 x 121.9



## DUAL HERRINGBONE

2 colours - Buy 1/2 of each colour\*

Uses models:

Limed Oak - Beige (24640 000)

Limed Oak - Grey (24640 001)

Plank format (cm): 22.9 x 121.9



## GRADIENT HERRINGBONE

2 colours - Buy of 1/3 Beige, 2/3 of Brown\*

Uses models:

Limed Oak - Beige (24640 000)

Limed Oak - Brown (24640 002)

Plank format (cm): 22.9 x 121.9





# iD Inspiration LOOSE-LAY

Mix and match designs to create your own effect.  
Take a look at what we imagined.



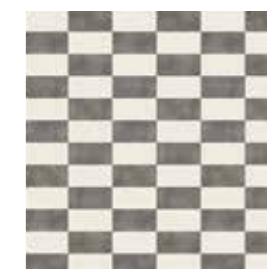
**MIXED PATH**

3 colours: Buy 1/3 of each colour\*

Uses models:

Béton - White (24641 000)  
Béton - Grey (24641 002)  
Béton - Black (24641 001)

Tile format (cm): 30.5 x 61



**MARBLE PATH**

2 colours: Buy 1/2 of each colour\*

Uses models:

Béton - White (24641 000)  
Béton - Grey (24641 002)

Tile format (cm): 30.5 x 61



**RAILWAY TRACK**

4 colours: Buy 1/4 of each colour\*

Uses models:

Béton - White (24641 000)  
Béton - Grey (24641 002)  
Béton - Black (24641 001)  
Delicate wood - Black (24640 013)

Tile format (cm): 30.5 x 61  
Plank format (cm): 22.9 x 121.9



**GARDEN ALLEY**

2 colours: Buy 1/5 of Wood, 4/5 of Béton\*

Uses models:

Delicate wood - White (24640 011)  
Béton - Grey (24641 002)

Tile format (cm): 30.5 x 61  
Plank format (cm): 22.9 x 121.9

\* Estimation based on this scaled square pattern





# iD Inspiration LOOSE-LAY

Mix and match designs to create your own effect.  
Take a look at what we imagined.



## TRENDY PALLET

3 colours - Buy 2/4 of Brown,  
1/4 of Dark Brown, 1/4 of Grey\*

Uses models:

Sawn Oak - Grey (24640 016)  
Sawn Oak - Brown (24640 017)  
Sawn Oak - Dark Brown (24640 018)

Plank format (cm): 22.9 x 121.9



## TRENDY SQUARE

3 colours - Buy 2/4 of Dark Brown,  
1/4 of Brown, 1/4 of Grey\*

Uses models:

Sawn Oak - Grey (24640 016)  
Sawn Oak - Brown (24640 017)  
Sawn Oak - Dark Brown (24640 018)

Plank format (cm): 22.9 x 121.9



## TRENDY LINE

2 colours - Buy 1/2 of each colour \*

Uses models:

Sawn Oak - Grey (24640 016)  
Sawn Oak - Brown (24640 017)

Plank format (cm): 22.9 x 121.9



## TRENDY CHECKERBOARD

2 colours - Buy 1/2 of each colour \*

Uses models:

Sawn Oak - Grey (24640 016)  
Sawn Oak - Brown (24640 017)

Plank format (cm): 22.9 x 121.9



PLANK



**LIMED OAK - BEIGE**  
24640000  
LRV: 48.94% 22.9 x 121.9 cm



**LIMED OAK - GREY**  
24640 001  
LRV: 24.27% 22.9 x 121.9 cm



**LIMED OAK - BROWN**  
24640 002  
LRV: 6.46% 22.9 x 121.9 cm



**MOUNTAIN OAK - NATURAL**  
24640 003  
LRV: 21.59% 22.9 x 121.9 cm



**MOUNTAIN OAK - BROWN**  
24640 004  
LRV: 15.63% 22.9 x 121.9 cm



**MOUNTAIN OAK - BLACK**  
24640 005  
LRV: 5.27% 22.9 x 121.9 cm



**CHRISTMAS PINE - WHITE**  
24640 006  
LRV: 53.13% 22.9 x 121.9 cm



**CHRISTMAS PINE - NATURAL**  
24640 007  
LRV: 20.72% 22.9 x 121.9 cm



**CHRISTMAS PINE - BROWN**  
24640 008  
LRV: 15.65% 22.9 x 121.9 cm



**BEACH WOOD - BEIGE**  
24640 009  
LRV: 35.56% 22.9 x 121.9 cm



**BEACH WOOD - GREY**  
24640 010  
LRV: 35.68% 22.9 x 121.9 cm



**DELICATE WOOD - WHITE**  
24640 011  
LRV: 59.39% 22.9 x 121.9 cm



**DELICATE WOOD - GREGE**  
24640 012  
LRV: 23.25% 22.9 x 121.9 cm



**DELICATE WOOD - BLACK**  
24640 013  
LRV: 7.03% 22.9 x 121.9 cm



**ELEGANT OAK - BEIGE**  
24640 014  
LRV: 31.47% 22.9 x 121.9 cm



**ELEGANT OAK - NATURAL**  
24640 015  
LRV: 24.33% 22.9 x 121.9 cm



**SAWN OAK - GREY**  
24640 016  
LRV: 17.99% 22.9 x 121.9 cm

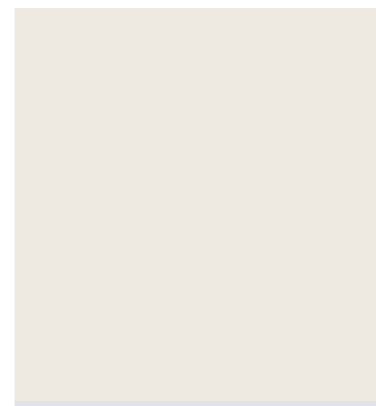


**SAWN OAK - BROWN**  
24640 017  
LRV: 17.13% 22.9 x 121.9 cm



**SAWN OAK - DARK BROWN**  
24640 018  
LRV: 9.94% 22.9 x 121.9 cm

TILE



**BÉTON - WHITE**  
24641 000  
LRV: 63.1% 30.5 x 61 cm



**BÉTON - GREY**  
24641 002  
LRV: 17.54% 30.5 x 61 cm



**BÉTON - BLACK**  
24641 001  
LRV: 4.86% 30.5 x 61 cm

# iD Inspiration LOOSE-LAY

iD Inspiration Loose-lay is up to three times faster to install than other modular vinyl solutions<sup>(1)</sup>, making it ideal for small or occupied surfaces, or environments requiring fast installation. It even makes overnight renovation possible. It requires no or little subfloor preparation, as it absorbs uneven patches, and no glue<sup>(2)</sup> for installation. Material and labour costs are therefore reduced. iD Inspiration Loose-lay's anti-skid backing is unique. Its patented herringbone design and pattern ensures strong plank adherence and stability.



## A UNIQUE LAYING TECHNOLOGY FOR FAST AND COST-SAVING INSTALLATIONS

- 2.5 times higher adherence than its competitors<sup>(3)</sup>.
- Totally dimensionally stable, and as durable and reliable as a glue-down flooring.
- Easily removable with no damage to the product or the subfloor.

## A WIDE SELECTION OF EXCLUSIVE AND ULTRA-REALISTIC DESIGNS

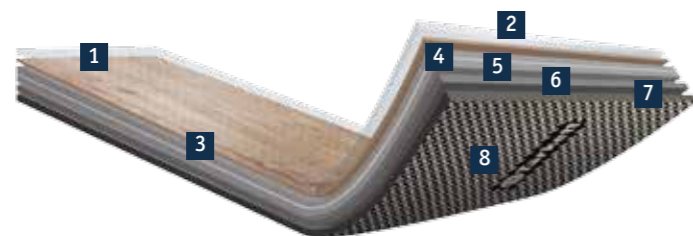
- 22 refined designs in plank (19 wood essences) and tile (3 stone patterns) formats.
- Coordinated with Tarkett accessories: skirtings, transitions and profiles.

## GREAT RESISTANCE AND LOW MAINTENANCE

- Treated with the Tarkett unique TopClean XP™ polyurethane coating for greater resistance, quicker and more cost-effective cleaning and a better life-cycle cost.

## A PEOPLE-FRIENDLY SOLUTION

- 100% recyclable.
- Contributes to improved indoor air quality with total VOC emissions at least 10 times lower than Europe's strictest standards.
- Uses a phthalate-free technology, based on alternative plasticizers that can be used for sensitive applications such as the production of toys, food packaging and medical devices.



**1. TopClean XP™ PUR reinforcement**  
for extreme resistance and easy low cost maintenance

**2. Wear layer**  
0.55 mm for commercial traffic resistance

**3. Printed film**  
in 22 different wood and stone designs

**4. Core layer**  
for proper resistance to indentation

**5. Glass fiber reinforcement**  
for perfect dimensional stability

**6. Bottom layer**  
for a solid basis to the product

**7. Balancing layer**  
for a curl-free product

**8. Tarkett exclusive herringbone anti-skid backing**  
for exceptional adherence to the subfloor and skid resistance in all directions

(1) and (3) Estimation based on Tarkett's internal tests

(2) No acrylic adhesive needed, only a tackifier for very large areas. Please refer to installation instructions.





# Accessories

## Skirting

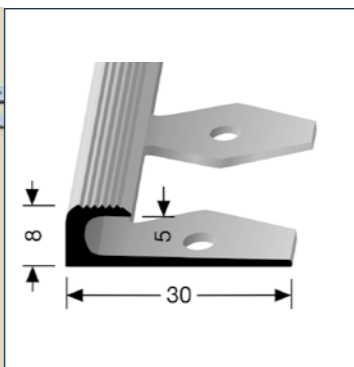


### PVC DECORATIVE SKIRTINGS

Compact PVC skirting foreseen with decorative film and PUR treatment. To be glued. See skirting chart below for matching sku numbers.

Design & Colours	PVC decorative Skirting	Design & Colours	PVC decorative Skirting
LIMED OAK - BEIGE	26640 250	DELICATE WOOD - WHITE	26640 258
LIMED OAK - GREY	26640 251	DELICATE WOOD - GREGE	26640 260
LIMED OAK - BROWN	26640 252	DELICATE WOOD - BLACK	26640 259
MOUNTAIN OAK - NATURAL	26640 249	SAWN OAK - GREY	26640 255
MOUNTAIN OAK - BROWN	26640 248	SAWN OAK - BROWN	26640 256
MOUNTAIN OAK - BLACK	26640 247	SAWN OAK - DARK BROWN	26640 257
CHRISTMAS PINE - BROWN	26640 244	ELEGANT OAK - BEIGE	26640 243
CHRISTMAS PINE - WHITE	26640 246	ELEGANT OAK - NATURAL	26640 242
CHRISTMAS PINE - NATURAL	26640 245	BÉTON - WHITE	26640 240
BEACH WOOD - BEIGE	26640 253	BÉTON - GREY	26640 239
BEACH WOOD - GREY	26640 254	BÉTON - BLACK	26640 241

## Profile

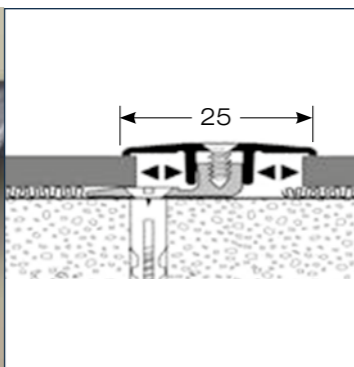
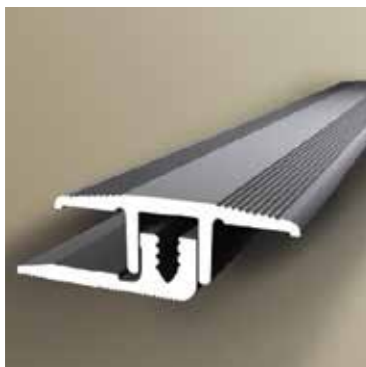


### FLEXIBLE PROFILE

Aluminium stop profile, to be screwed.

2 colours: Ref.: Silver 1456 011  
 Ref.: Stainless Steel 1456 012

Delivery form: 10 units of 2.5 lm

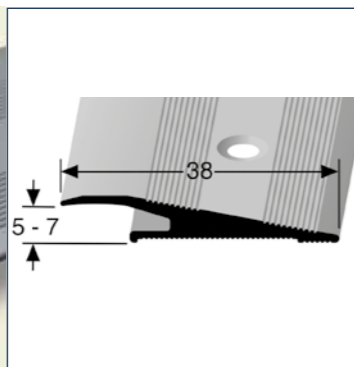
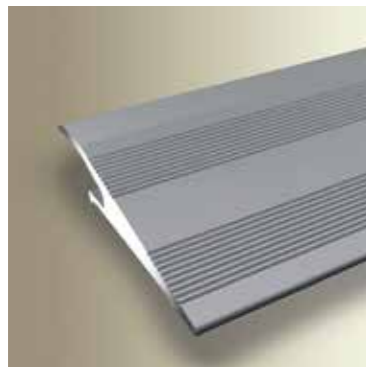


### TRANSITION PROFILE

Aluminium transition profile, to be screwed.

2 colours: Ref.: Silver 1456 011  
 Ref.: Stainless Steel 1456 012

Delivery form: 10 units of 2.7 lm



### RAMP PROFILE

Aluminium ramp profile, to be screwed.

2 colours: Ref.: Silver 1456 011  
 Ref.: Stainless Steel 1456 012

Delivery form: 10 units of 2.7 lm

## Specification

Modular vinyl floor covering, with glass fibre reinforcement. TopClean XP™ polyurethane reinforcement. In plank and tile format. Product standard: EN ISO 10582.

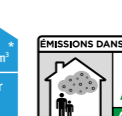
CERTIFICATION & CLASSIFICATION	STANDARDS	iD Inspiration Loose-lay
Type of floor covering	EN ISO 10582	Compact resilient floor covering
CE certification	EN 14041	Yes
Classification	EN ISO 10874	Commercial: 33 Industrial: 42
TECHNICAL CHARACTERISTICS	STANDARDS	iD Inspiration Loose-lay
Total thickness	EN ISO 24346	4.5 mm
Wear layer thickness	EN ISO 24340	0.55 mm
Surface treatment (PUR)		Yes
Bevelled edges		No
Total weight	EN ISO 23997	7500 g/m <sup>2</sup>
Wear layer binder content	ISO 10582	Type I
Form of delivery	EN ISO 24342 Planks	22.9 x 121.9 cm 10 planks/box (= 2.79 m <sup>2</sup> - 20.9 kg) 52 boxes/pallet (= 145.16 m <sup>2</sup> - 1088.7 kg)
	Tiles	30.5 x 61 cm 14 tiles/box (= 2.6 m <sup>2</sup> - 19.5 kg) 54 boxes/pallet (= 140.65 m <sup>2</sup> - 1054.9 kg)

TECHNICAL PERFORMANCES	STANDARDS	iD Inspiration Loose-lay
Dimensional stability	EN ISO 23999	≤ 0.10 %
Reaction to fire	EN 13501-1	B <sub>f1</sub> s1
Residual indentation	EN ISO 24343-1	≤ 0.10 mm
Furniture leg	EN 424	No damage
Castor chair	EN ISO 4918	No damage
Thermal resistance	ISO 10456	0.04 m <sup>2</sup> K/W
Impact sound reduction	EN ISO 717-2	8 dB
Light fastness	EN ISO 105-B02	≥ 6
Resistance to chemicals	EN ISO 26987	High resistance
Slip resistance	EN 13893 DIN 51130	μ ≥ 0.30 DS R9
Electrical properties	EN 1081	ca. 10 <sup>11</sup> Ohm
Colours		22

Technical data in force upon the date of publication (11/15). The values correspond to laboratory tests (no in situ test) and are subject to modification. Tarkett's instructions regarding installation, cleaning and maintenance shall be observed. Please contact your local sales rep. for these instructions.

CUSTOMS TARIFF: 482050000000F

Our Sustainability tag explains the content of our products and how they contribute to our sustainability strategy and human well-being.





# FLOOR IS THE NEW PLAYGROUND

[flooristhewnewplayground.tarkett.com](http://flooristhewnewplayground.tarkett.com)

■ **WESTERN EUROPE:** Austria: Tarkett Holding GmbH, Niederlassung Wien – Tel. +43 1 47 88 062 ■ Belgium: Tarkett France Belux – Tel. +32 16 35 98 80 ■ Denmark: Tarkett A/S – Tel. +45 43 90 60 11 ■ Finland: Tarkett Oy – Tel. +358 9 4257 9000 ■ France: Tarkett SAS – Tel. +33 1 41 20 42 49 ■ Germany: Tarkett Holding GmbH, Bereich Objekt – Tel. +49 62 33 810 ■ Greece: Tarkett Monoprosopi Ltd – Tel. +30 210 6745 340 ■ Italy: Tarkett S.p.A. – Tel. +39 0744 7551 ■ Luxembourg: Tarkett GDL SA – Tel. +352 949 211 8804 ■ Netherlands: Tarkett Holding GmbH, Vestiging Nederland – Tel. +31 76 57 80 760 ■ Norway: Tarkett AS – Tel. +47 32 20 92 00 ■ Portugal: Tarkett SA – Tel. +351 21 427 64 20 ■ Spain: Tarkett Floors S.L. – Tel. +34 91 358 00 35 ■ Sweden: Tarkett Sverige AB – Tel. +46 771 25 19 00 ■ Switzerland: Tarkett Holding GmbH, Bereich Objekt Schweiz – Tel. +41 043 233 79 24 ■ Turkey: Tarkett Aspen – Tel. +90 212 213 65 80 ■ United Kingdom: Tarkett Ltd – Tel. +44 (0) 1622 854 040 ■ **EASTERN EUROPE:** Baltic Countries: Tarkett Baltics: Tel. +370 37 262 220 ■ Czech Republic: Tarkett France SAS, org. slozka – Tel. +420-271 001 602 ■ Hungary: Tarkett France SAS – Tel. +36 1 437 8150 ■ Poland: Tarkett Polska Sp. z o.o. – Tel. +48 22 639 31 68 ■ Russian Federation: ZAO Tarkett RUS – Tel. +7 495 775 3737 ■ Slovakia: Tarkett France SAS, org.zlozka – Tel. +421 248 291 317 ■ South East Europe: Tarkett Trade d.o.o. – Tel. +381 21 7557 649 (44) 569 12 21 ■ Ukraine: Tarkett UA – Tel. +38 (0) 44 569 12 21 ■ **ASIA AND OCEANIA:** Australia: Tarkett Australia Pty Ltd – Tel. +61 2 88 53 12 00 ■ China: Tarkett Floor Covering (Shanghai) Co. Ltd. – Tel. +86 (21) 60 95 68 38 ext 841 ■ Hong Kong: Tarkett Asia Pacific Ltd. – Tel. +852 2511 8716 ■ India: Tarkett France (India Branch) – Tel. +91 11 4352 4073 ■ South East Asia: Tarkett Flooring Singapore Pte Ltd – Tel. +65 6346 1585 ■ **AFRICA:** Tarkett International: Tel. +33 1 41 20 41 01 ■ **MIDDLE EAST:** Tarkett Middle East: Tel. +961 1 51 3363/4 ■ Israel: Tarkett International: Tel. +33 1 41 20 41 01 ■ **NORTH AMERICA:** USA: Tarkett Inc. – Tel. +1 713 869 5811 / Johnsonite – Tel. +1 440 543 8916 ■ Canada: Tarkett Inc. – Tel. +1 450 293 173 ■ **LATIN AMERICA:** Brazil: Tarkett Fademac – Tel. 55 12 3954 7108 ■ Other countries: Tarkett America Latina – Tel. +55 11 3047 7200 ■ Argentina - Chile - Uruguay: Tarkett Latam Mercosur - Tel. 54 11 48 06 74 28 / 54 9 11 44 46 88 82 ■ Colombia - Panama - Caribbean: Tarkett Latam Andina – Tel. 57 1 759 5781 / 57 312 273 1566 ■ Bolivia - Ecuador - Paraguay - Peru: Tarkett Latam Sur Oeste - Tel. 55 11 3047 7233 ■ Mexico / Central America: Tarkett Latam Mexico - Tel. 52 735 35 63 918 / 52 55 51 07 9524



THE ULTIMATE  
FLOORING EXPERIENCE