

# FLOOR IS THE NEW PLAYGROUND



# iD Inspiration **CLICK**

*Take a look at the iD Inspiration Click range with its refined palette of expressive wood textures. The motifs on all 22 designs were exclusively created to match the natural essence of wood.*





# iD Inspiration CLICK

Think differently about colour and design to give a fresh look to your home interiors.



## CLUB TIE

2 colours - Buy 3/4 of English oak - Beige and 1/4 of Vintage Teak - Grey\*

Uses models:  
English Oak - Beige (24)  
Vintage Teak - Grey (92)

Plank format (cm): 18.5 x 121.2



## FRENCH MARINIERE

2 colours - Buy 1/2 of each colour\*

Uses models:  
English Oak - Beige (24)  
Vintage Teak - Grey (92)

Plank format (cm): 18.5 x 121.2

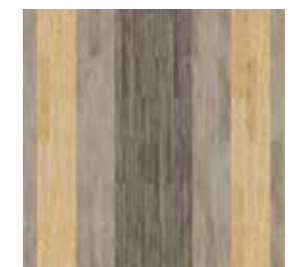


## RANDOM CODE

3 colours - Buy 3/6 of English Oak - Beige, 2/6 of Vintage Teak - Grey and 1/6 of English Oak - Light\*

Uses models:  
English Oak - Beige (24)  
English Oak - Light (26)  
Vintage Teak - Grey (92)

Plank format (cm): 18.5 x 121.2



## BOARDWALK

3 colours - Buy 1/3 of each colour\*

Uses models:  
English Oak - Beige (24)  
English Oak - Light (26)  
Vintage Teak - Grey (92)

Plank format (cm): 18.5 x 121.2



# iD Inspiration CLICK

Think differently about colour and design to give a fresh look to your home interiors.



**FRENCH MARINIERE**  
2 colours - Buy 1/2 of each colour\*  
Uses models:  
Modern Oak - Light (44)  
Modern Oak - Grey (43)  
Plank format (cm): 18.5 x 121.2



**MAYAN RUG**  
3 colours - Buy 3/12 of Grey,  
4/12 of Natural, 5/12 of Light\*  
Uses models:  
Modern Oak - Light (44)  
Modern Oak - Grey (43)  
Modern Oak - Natural (45)  
Plank format (cm): 18.5 x 121.2



**ETHNIC BEAT**  
3 colours - Buy 1/10 of Grey,  
3/10 of Natural and 6/10 of Light\*  
Uses models:  
Modern Oak - Light (44)  
Modern Oak - Grey (43)  
Modern Oak - Natural (45)  
Plank format (cm): 18.5 x 121.2



**CROSSROAD**  
3 colours - Buy 1/10 of English Oak - Grey,  
6/10 of Natural and 3/10 of Light\*  
Uses models:  
Modern Oak - Light (44)  
Modern Oak - Grey (43)  
Modern Oak - Natural (45)  
Plank format (cm): 18.5 x 121.2

\* Estimation based on this scaled square pattern



**ANTI K OAK - BEIGE**  
24804 001  
LRV: 25.9% 18.5 x 121.2 cm



**ANTI K OAK - NATURAL**  
24804 005  
LRV: 20.5% 18.5 x 121.2 cm



**ANTI K OAK - BROWN**  
24804 002  
LRV: 18.2% 18.5 x 121.2 cm



**ANTI K OAK - DARK GREY**  
24804 003  
LRV: 25.3% 18.5 x 121.2 cm



**BRUSHED PINE - GREY**  
24804 014  
LRV: 26.7% 18.5 x 121.2 cm



**BRUSHED PINE - BROWN**  
24804 013  
LRV: 19% 18.5 x 121.2 cm



**NATURAL WALNUT - YELLOW**  
24804 051  
LRV: 31.5% 18.5 x 121.2 cm



**NATURAL WALNUT - CLASSIC**  
24804 050  
LRV: 17.4% 18.5 x 121.2 cm



**ENGLISH OAK - LIGHT**  
24804 026  
LRV: 25.6% 18.5 x 121.2 cm



**ENGLISH OAK - NATURAL**  
24804 027  
LRV: 24.9% 18.5 x 121.2 cm



**ENGLISH OAK - BEIGE**  
24804 024  
LRV: 28.8% 18.5 x 121.2 cm



**ENGLISH OAK - BROWN**  
24804 025  
LRV: 14.5% 18.5 x 121.2 cm



**SOFT WALNUT - NATURAL**  
24804 076  
LRV: 27.2% 18.5 x 121.2 cm



**SOFT WALNUT - BROWN**  
24804 074  
LRV: 12.5% 18.5 x 121.2 cm



**VINTAGE TEAK - NATURAL**  
24804 093  
LRV: 9.8% 18.5 x 121.2 cm



**VINTAGE TEAK - GREY**  
24804 092  
LRV: 15.9% 18.5 x 121.2 cm



**MODERN OAK - LIGHT**  
24804 044  
LRV: 35% 18.5 x 121.2 cm



**MODERN OAK - NATURAL**  
24804 045  
LRV: 35% 18.5 x 121.2 cm



**MODERN OAK - GREY**  
24804 043  
LRV: 19.7% 18.5 x 121.2 cm



**OAK - NATURAL**  
24804 052  
LRV: 29.5% 18.5 x 121.2 cm



**WHITE OAK - LIGHT**  
24804 102  
LRV: 42.7% 18.5 x 121.2 cm



**WHITE OAK - GREY**  
24804 101  
LRV: 28.4% 18.5 x 121.2 cm

# iD Inspiration CLICK

iD Inspiration Click is an ideal solution for semi-commercial areas. Its durability and performance match the highest requirements of this market. It requires no or little subfloor preparation and can even be installed on some existing flooring. Its click system allows a floating installation, avoiding the use of glue, making the installation 20% quicker than with glue-down products and 10% quicker than with other click systems\*. There is no drying period so your floor is immediately available.

\*Estimation - not binding

## FULL ACCESSORY PACKAGE

- Whether it's to ensure user safety, efficient installation or project completion, the iD Inspiration Click collection has everything to fulfill your expectations.
- Match your flooring design with the exact same colour of matching skirting to finish your project in style.
- Add the Tarkomfort Premium underlay to this product to obtain a 19 db acoustic sound reduction.

## GREAT RESISTANCE AND EASY CLEANING

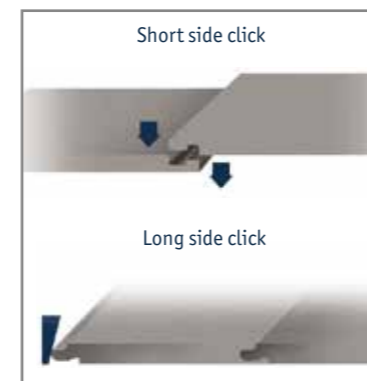
- Treated with a TopClean XP™ surface protection that hardens the surface and simplifies cleaning and maintenance through reduced use of water, energy and chemical detergents.

## BETTER INDOOR AIR QUALITY & HYGIENE

- Contributes to improved indoor air quality with total VOC emissions at least 10 times lower than Europe's strictest standards.
- Uses a phthalate-free technology, based on alternative plasticizers that can be used for sensitive applications such as the production of toys, food packaging and medical devices.

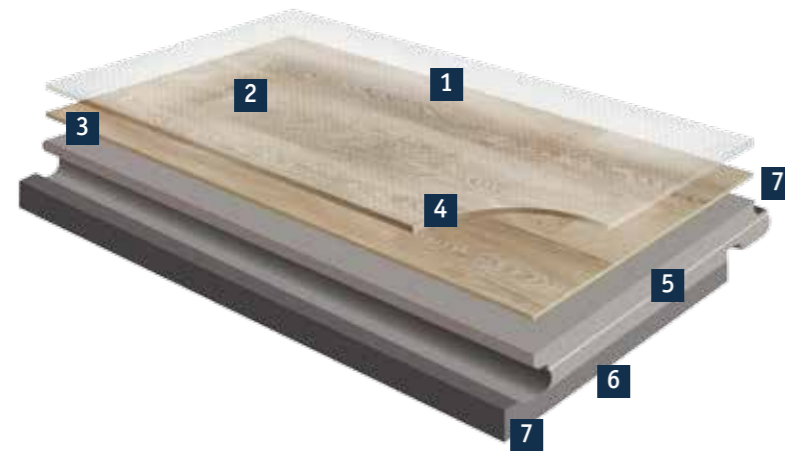
## SUSTAINABLE DESIGN

- Eco-effective product that minimise our impact on the environment.
- Contributes to people's well-being and that can be reused at end-of-life in other products.
- REACH compliant, 100% recyclable and is made in Germany in facilities certified ISO 9001 and ISO 14001.



## FOLD-DOWN CLICK SYSTEM

- The quickest and easiest system on the market.



- 1. TopClean XP™ PUR reinforcement**  
*extreme resistance and easy low cost maintenance*
- 2. Surface embossing**  
*close to real materials*
- 3. 0.55mm pure PVC transparent wear layer**  
*allowing class of use 33 and 42 ; hardwearing and indentation resistant*
- 4. Design film**  
*22 design options in high definition printing*
- 5. Core layer with glass fiber reinforcement**  
*exceptional dimensional stability and excellent resistance to tear and indentation*
- 6. Stabilizing layer**  
*curl free product*
- 7. Fold-down Click System**



# Accessories

## Skirting

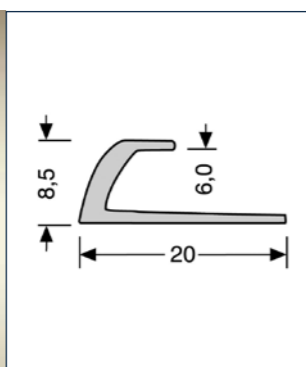


### 1 PVC DECORATIVE SKIRTING

Compact skirting with decorative film and PUR surface treatment. Perfect matching with 22 iD Inspiration Click references, see skirting chart (10 x 60 x 2020 mm). Ordering unit: 16 units of 2.02 lm.

Design & Colours	Art.	1
ANTIK OAK-BEIGE	001	26640 001
ANTIK OAK-BROWN	002	26640 002
ANTIK OAK-DARK GREY	003	26640 003
ANTIK OAK-NATURAL	005	26640 005
BRUSHED PINE-BROWN	013	26640 013
BRUSHED PINE-GREY	014	26640 014
ENGLISH OAK-BEIGE	024	26640 024
ENGLISH OAK-BROWN	025	26640 025
ENGLISH OAK-LIGHT	026	26640 026
ENGLISH OAK-NATURAL	027	26640 027

Design & Colours	Art.	1
MODERN OAK-GREY	043	26640 043
MODERN OAK-LIGHT	044	26640 044
MODERN OAK-NATURAL	045	26640 045
NATURAL WALNUT-CLASSIC	050	26640 050
NATURAL WALNUT-YELLOW	051	26640 051
OAK-NATURAL	052	26640 052
SOFT WALNUT-BROWN	074	26640 074
SOFT WALNUT-NATURAL	076	26640 076
VINTAGE TEAK-GREY	092	26640 092
VINTAGE TEAK-NATURAL	093	26640 093
WHITE OAK-GREY	101	26640 101
WHITE OAK-LIGHT	102	26640 102



### LVT SKIRTING CAP

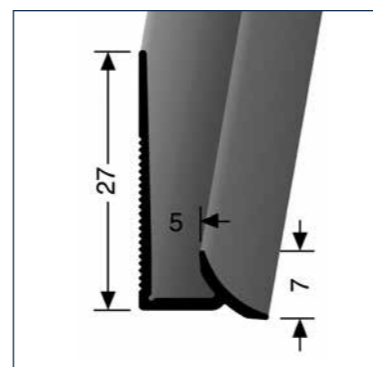
Aluminium skirting cap for LVT to be combined with skirting bottom. To be glued.

- Perfect protection of the edge of the product
- Elegant finish

Size: 20 mm wide x 6 mm high inside x 8.5 mm high outside x 2500 mm long

Packaging: 10 units of 2,5lm in a cardboard box = 25 lm

Ref.: 26626 011: silver  
26626 012: stainless steel



### LVT SKIRTING BOTTOM

Aluminium skirting bottom for LVT, to be combined with skirting cap. To be glued.

- Real material to be inserted
- Also compatible for perfect finish in stairs

Size: 5 mm inside x 27 mm high x 7 mm lower lip x 2500 mm long

Packaging: 10 units of 2,5lm in a cardboard box = 25 lm

Ref.: 26626 021: silver  
26626 022: stainless steel

## Underlay

### TARKOMFORT PRO

#### Acoustic Performance

- Acoustic high-resistance underlay specially designed for floating installation under LVT click (13dB with iD Inspiration Click)

#### Quick and easy to install

- Anti-slip film to be stripped off for easy installation

Ref.: 24992 020 - Brown



### TARKOMFORT PREMIUM

#### Acoustic Performance

- Incorporates precision engineered material with sophisticated automotive and aeronautical technology

- Provides high-impact sound reduction of 19 dB with iD Inspiration Click

#### High resistance

- Gives stronger resistance to static indentation and rolling loads in heavy traffic areas with the use of high density material

#### Quick and easy to install

- Adheres firmly to the ground and prevent slipping with double-sided anti-slip texture with micro-suction cup effect
- Dispenses with post-installation wait, reduces downtime with loose-lay format and no adhesive
- Offers easy removal at end of life

Ref.: 24992 030 - Black



### TARKOFLAT LOOSE-LAY

#### Ready-to-use solution

- Reduces slight unevenness in older subfloors by up to 1.5mm depth and 3mm width
- Prevents telegraphic effect, the appearance of bumps and ridges from the substrate by up to 1.5mm depth

- Residential and light traffic commercial applications (Class 32 max.)

#### Quick and easy to install

Ref.: 3568 004 - Grey

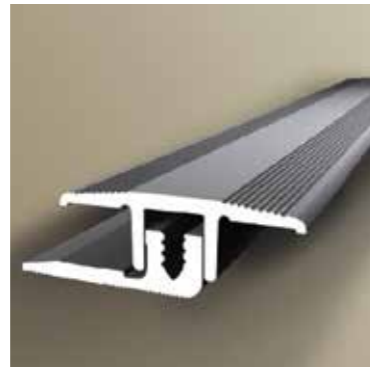


## Profile



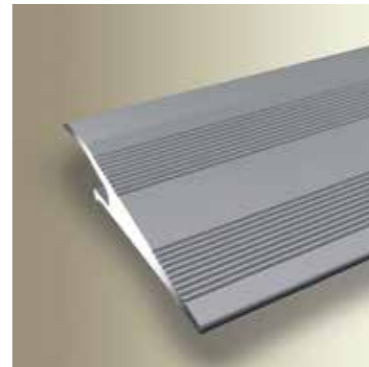
### FLEXIBLE PROFILE

Aluminium stop profile, to be screwed. Available in Silver (1456 011) and Stainless Steel (1456 012) finishes.



### TRANSITION PROFILE

Aluminum transition profile, to be screwed. Available in Silver (1451 011) and Stainless Steel (1451 012) finishes.



### RAMP PROFILE

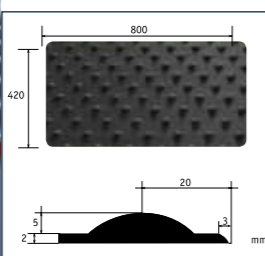
Aluminium ramp profile, to be screwed. Available in Silver (1456 011) and Stainless Steel (1456 012) finishes.

## Accessibility



### WARNING TILE

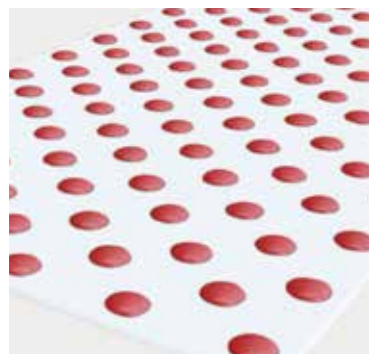
Helps recognize a change in level, in accordance with regulatory requirements for disabled access and safety. Various formats available. Self-adhesive or to be glued to the floorcovering (according to product).



Self-adhesive rectangular tiles  
Format: 815 x 420 x 8mm  
Ordering unit: 1 box of 6 tiles

Self-adhesive square tiles  
Format: 450 x 420 x 8mm  
Ordering unit: 1 box of 20 tiles

	Self-adhesive	
	Rectangular tile	Square tile
White	1440 350	1440 450
Grey	1440 351	1440 451
Black	1440 352	1440 452
Ivory	1440 353	1440 453
Red	1440 354	1440 454
Yellow	1440 355	1440 455



### 3D STUD

Ready-to-use podotactile studs to be simply fitted on top of the existing floorcovering.

Format (stud): 5 x 25mm  
Ordering unit: 1 box of 200 studs

	Self-adhesive
White	1440 050
Grey	1440 051
Black	1440 052
Ivory	1440 053
Red	1440 054
Yellow	1440 055

## Specification

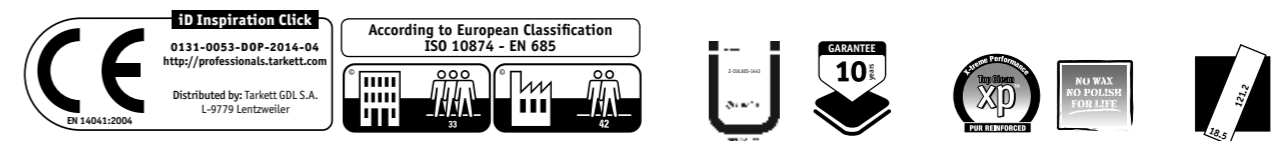
Modular vinyl floorcovering, with glass fibre reinforcement. TopClean XP™ polyurethane reinforcement. In plank form. Product standard: EN ISO 10582.

CERTIFICATION & CLASSIFICATION	STANDARDS	iD Inspiration Click
<b>Type of floor covering</b>	EN ISO 10582	Compact Resilient Floorcovering
<b>CE certification</b>		Yes
<b>Classification</b>	EN ISO 10874	Commercial: 33 Industrial: 42
TECHNICAL CHARACTERISTICS	STANDARDS	
<b>Total thickness</b>	EN ISO 24346	5.0 mm
<b>Wear layer thickness</b>	EN ISO 24340	0.55 mm
<b>Surface treatment (PUR)</b>		Yes - TopClean XP™
<b>Bevelled edges</b>		No
<b>Total weight</b>	EN ISO 23997	8.300 g/m <sup>2</sup>
<b>Wear layer binder content</b>	ISO 10582	Type I
<b>Form of delivery</b>	EN ISO 24342 Planks	18.5 x 121.2 cm 8 planks/box (= 1.793 m <sup>2</sup> - 15.25 kg) 64 boxes/pallet (= 114.752 m <sup>2</sup> - 991 kg)
	ISO 24341 - EN 426 Sheet	-
TECHNICAL PERFORMANCES	STANDARDS	
<b>Dimensional stability</b>	EN ISO 23999	≤ 0.10 %
<b>Reaction to fire</b>	EN 13501-1	B <sub>f1</sub> s1 over concrete and wood substrate
<b>Residual indentation</b>	EN ISO 24343-1	≤ 0.10 mm
<b>Furniture leg</b>	EN 424	No damage
<b>Castor chair</b>	ISO 4918	No damage
<b>Curl resultant to heat</b>	ISO 23999	≤ 2 mm
<b>Underfloor heating</b>		Suitable - max. 27°C
<b>Thermal resistance</b>	ISO 10456	0.03 m <sup>2</sup> K/W
<b>Impact sound reduction</b>	EN 717-2	ΔL <sub>w</sub> = 3 dB 19 dB with Tarkomfort Premium
<b>Reduction of in room impact noise</b>	NF S31-074	Class C - L <sub>w,ra</sub> < 85 dB
<b>Light fastness</b>	EN ISO 105-B02	≥ 6
<b>Resistance to chemicals</b>	EN ISO 26987	High resistance
<b>Slip resistance</b>	EN 13893 DIN 51130	μ ≥ 0.30 R9
<b>Colours</b>		22

Technical data in force upon the date of publication (11/15). The values correspond to laboratory tests (no in situ test) and are subject to modification. Tarkett's instructions regarding installation, cleaning and maintenance shall be observed. Please contact your local sales rep. for these instructions.

CUSTOMS TARIFF: 482050000000F

Our Sustainability tag explains the content of our products and how they contribute to our sustainability strategy and human well-being.





# FLOOR IS THE NEW PLAYGROUND

[flooristhewnewplayground.tarkett.com](http://flooristhewnewplayground.tarkett.com)

■ **WESTERN EUROPE:** Austria: Tarkett Holding GmbH, Niederlassung Wien – Tel. +43 1 47 88 062 ■ Belgium: Tarkett France Belux – Tel. +32 16 35 98 80 ■ Denmark: Tarkett A/S – Tel. +45 43 90 60 11 ■ Finland: Tarkett Oy – Tel. +358 9 4257 9000 ■ France: Tarkett SAS – Tel. +33 1 41 20 42 49 ■ Germany: Tarkett Holding GmbH, Bereich Objekt – Tel. +49 62 33 810 ■ Greece: Tarkett Monoprosopi Ltd – Tel. +30 210 6745 340 ■ Italy: Tarkett S.p.A. – Tel. +39 0744 7551 ■ Luxembourg: Tarkett GDL SA – Tel. +352 949 211 8804 ■ Netherlands: Tarkett Holding GmbH, Vestiging Nederland – Tel. +31 76 57 80 760 ■ Norway: Tarkett AS – Tel. +47 32 20 92 00 ■ Portugal: Tarkett SA – Tel. +351 21 427 64 20 ■ Spain: Tarkett Floors S.L. – Tel. +34 91 358 00 35 ■ Sweden: Tarkett Sverige AB – Tel. +46 771 25 19 00 ■ Switzerland: Tarkett Holding GmbH, Bereich Objekt Schweiz – Tel. +41 043 233 79 24 ■ Turkey: Tarkett Aspen – Tel. +90 212 213 65 80 ■ United Kingdom: Tarkett Ltd – Tel. +44 (0) 1622 854 040 ■ **EASTERN EUROPE:** Baltic Countries: Tarkett Baltics: Tel. +370 37 262 220 ■ Czech Republic: Tarkett France SAS, org. slozka – Tel. +420-271 001 602 ■ Hungary: Tarkett France SAS – Tel. +36 1 437 8150 ■ Poland: Tarkett Polska Sp. z o.o. – Tel. +48 22 639 31 68 ■ Russian Federation: ZAO Tarkett RUS – Tel. +7 495 775 3737 ■ Slovakia: Tarkett France SAS, org.zlozka – Tel. +421 248 291 317 ■ South East Europe: Tarkett Trade d.o.o. – Tel. +381 21 7557 649 (44) 569 12 21 ■ Ukraine: Tarkett UA – Tel. +38 (0) 44 569 12 21 ■ **ASIA AND OCEANIA:** Australia: Tarkett Australia Pty Ltd – Tel. +61 2 88 53 12 00 ■ China: Tarkett Floor Covering (Shanghai) Co. Ltd. – Tel. +86 (21) 60 95 68 38 ext 841 ■ Hong Kong: Tarkett Asia Pacific Ltd. – Tel. +852 2511 8716 ■ India: Tarkett France (India Branch) – Tel. +91 11 4352 4073 ■ South East Asia: Tarkett Flooring Singapore Pte Ltd – Tel. +65 6346 1585 ■ **AFRICA:** Tarkett International: Tel. +33 1 41 20 41 01 ■ **MIDDLE EAST:** Tarkett Middle East: Tel. +961 1 51 3363/4 ■ Israel: Tarkett International: Tel. +33 1 41 20 41 01 ■ **NORTH AMERICA:** USA: Tarkett Inc. – Tel. +1 713 869 5811 / Johnsonite – Tel. +1 440 543 8916 ■ Canada: Tarkett Inc. – Tel. +1 450 293 173 ■ **LATIN AMERICA:** Brazil: Tarkett Fademac – Tel. 55 12 3954 7108 ■ Other countries: Tarkett America Latina – Tel. +55 11 3047 7200 ■ Argentina - Chile - Uruguay: Tarkett Latam Mercosur - Tel. 54 11 48 06 74 28 / 54 9 11 44 46 88 82 ■ Colombia - Panama - Caribbean: Tarkett Latam Andina – Tel. 57 1 759 5781 / 57 312 273 1566 ■ Bolivia - Ecuador - Paraguay - Peru: Tarkett Latam Sur Oeste - Tel. 55 11 3047 7233 ■ Mexico / Central America: Tarkett Latam Mexico - Tel. 52 735 35 63 918 / 52 55 51 07 9524



THE ULTIMATE  
FLOORING EXPERIENCE