

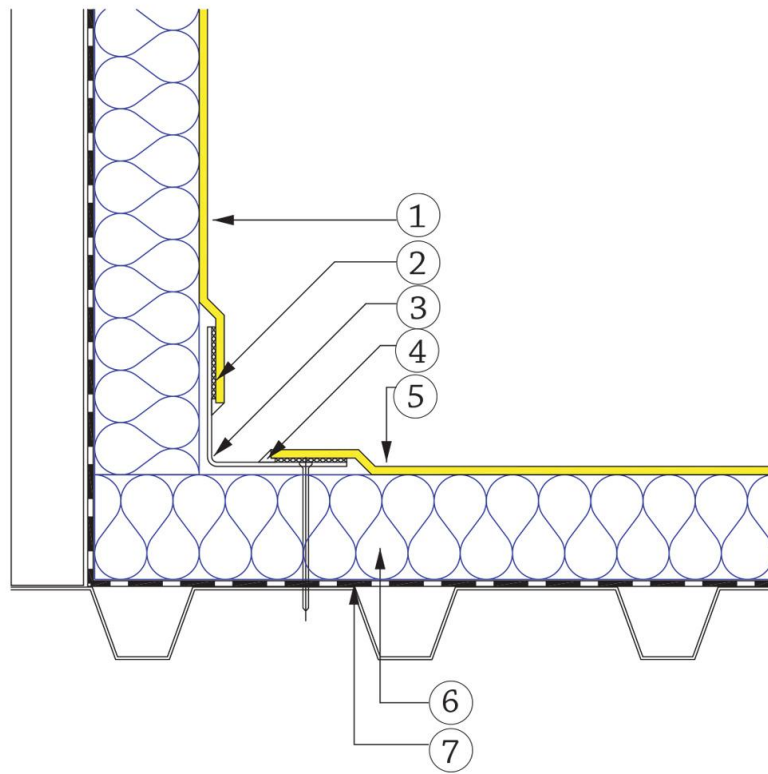


WATERPROOFING MEMBRANES FOR ROOFING

Rely on it.

RENOLIT WATERPROOFING

EXCELLENCE
IN ROOFING

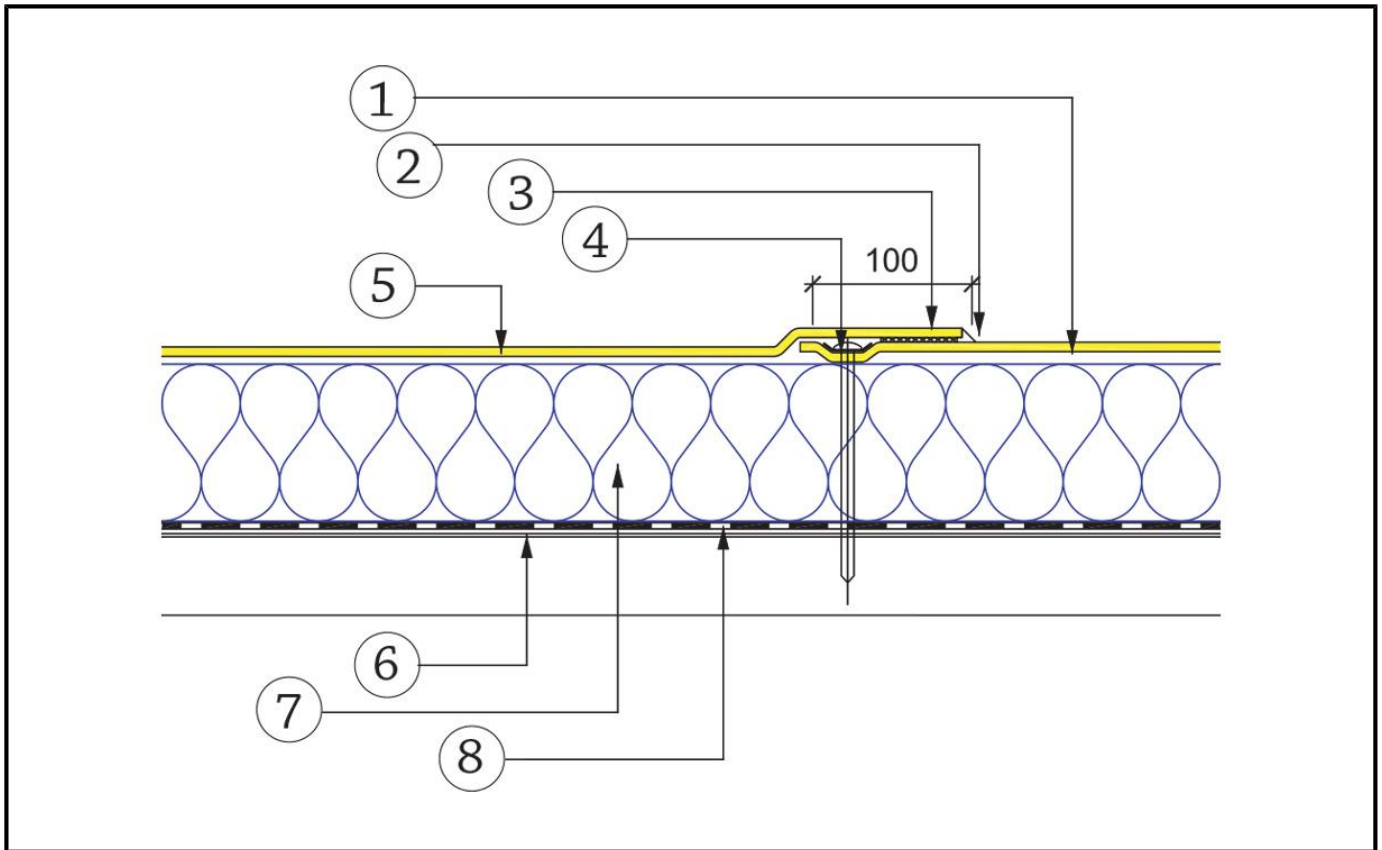


Typical Upstand Detail

1. RENOLIT ALKORPLAN F 35176/35276 MEMBRANE
2. HEAT WELD
3. RENOLIT ALKORPLAN METAL TRIM
3. RENOLIT ALKORPLAN METAL TRIM
4. RENOLIT ALKORPLUS 81038 SEAM SEALER
6. INSULATION
7. RENOLIT ALKORPLUS 81012 VAPOUR CONTROL LAYER



RENOLIT waterproofing
Excellence in roofing

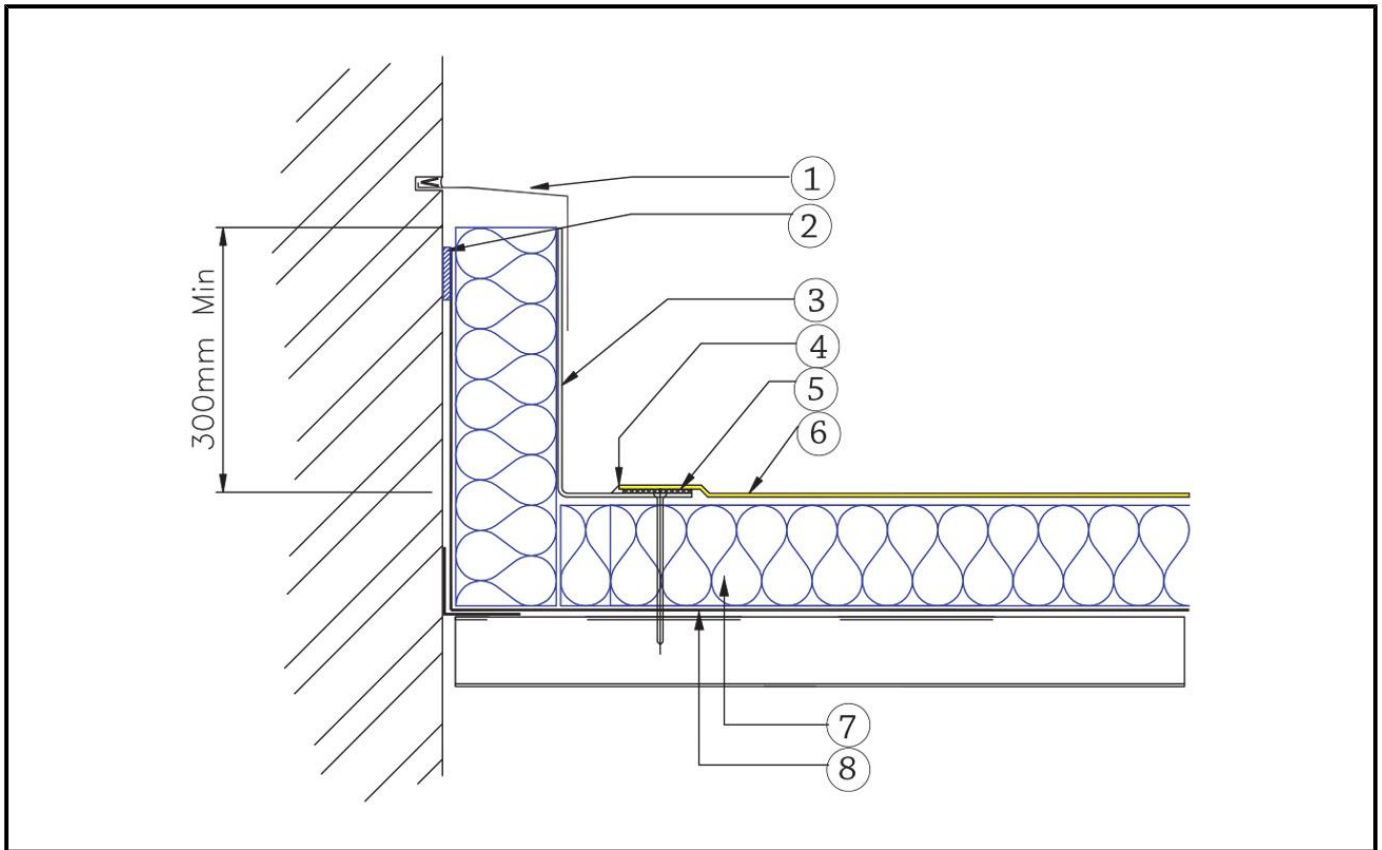


Mechanically Fixed Seam

1. RENOLIT ALKORPLAN F 35176/35276 MEMBRANE
2. RENOLIT ALKORPLUS 81038 SEAM SEALER
3. 100 MM OVERLAP WITH WELDED JOINT
4. MECHANICAL FASTENING WITH PRESSURE PLATE
5. RENOLIT ALKORPLAN F 35176/35276 MEMBRANE
6. PROFILE METAL DECK
7. INSULATION
8. RENOLIT ALKORPLUS 81012 VAPOUR CONTROL LAYER



RENOLIT waterproofing
Excellence in roofing

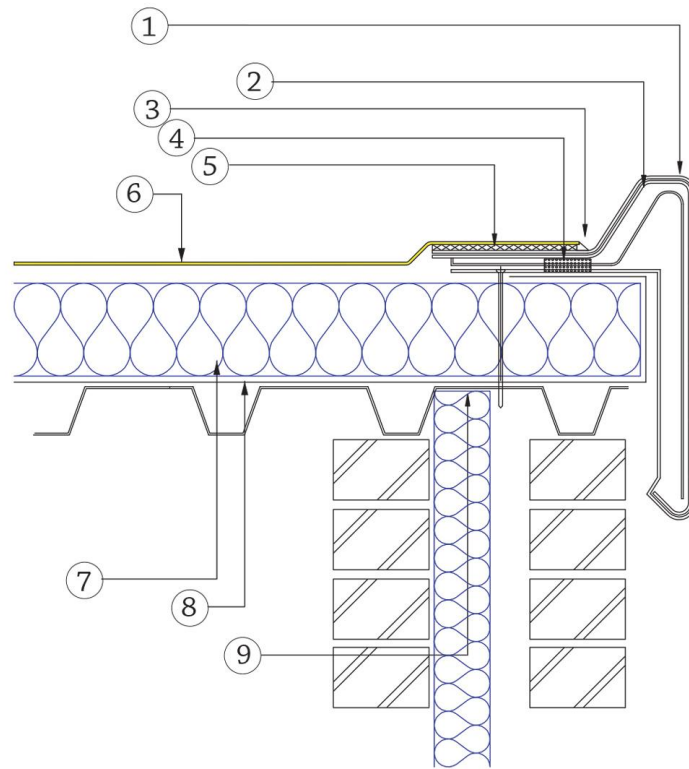


Typical Wall Abutment

1. LEAD FLASHING TO BE LEAD PLUGGED TO HOLD FLASHING. PLUGS TO BE FIXED AT 300MM CENTRES. CHASE & FLASHING TO BE POINTED IN MASTIC SEALANT 'BY PLUMBER'
2. VAPOUR CONTROL LAYER SEALED 'CONTINUOUS'
3. RENOLIT ALKORPLAN METAL TRIM
4. RENOLIT ALKORPLUS 81038 SEAM SEALER
6. HEAT WELD
6. RENOLIT ALKORPLAN F 35176/35276 MEMBRANE
7. INSULATION
8. RENOLIT ALKORPLUS 81012 VAPOUR CONTROL LAYER



RENOLIT waterproofing
Excellence in roofing

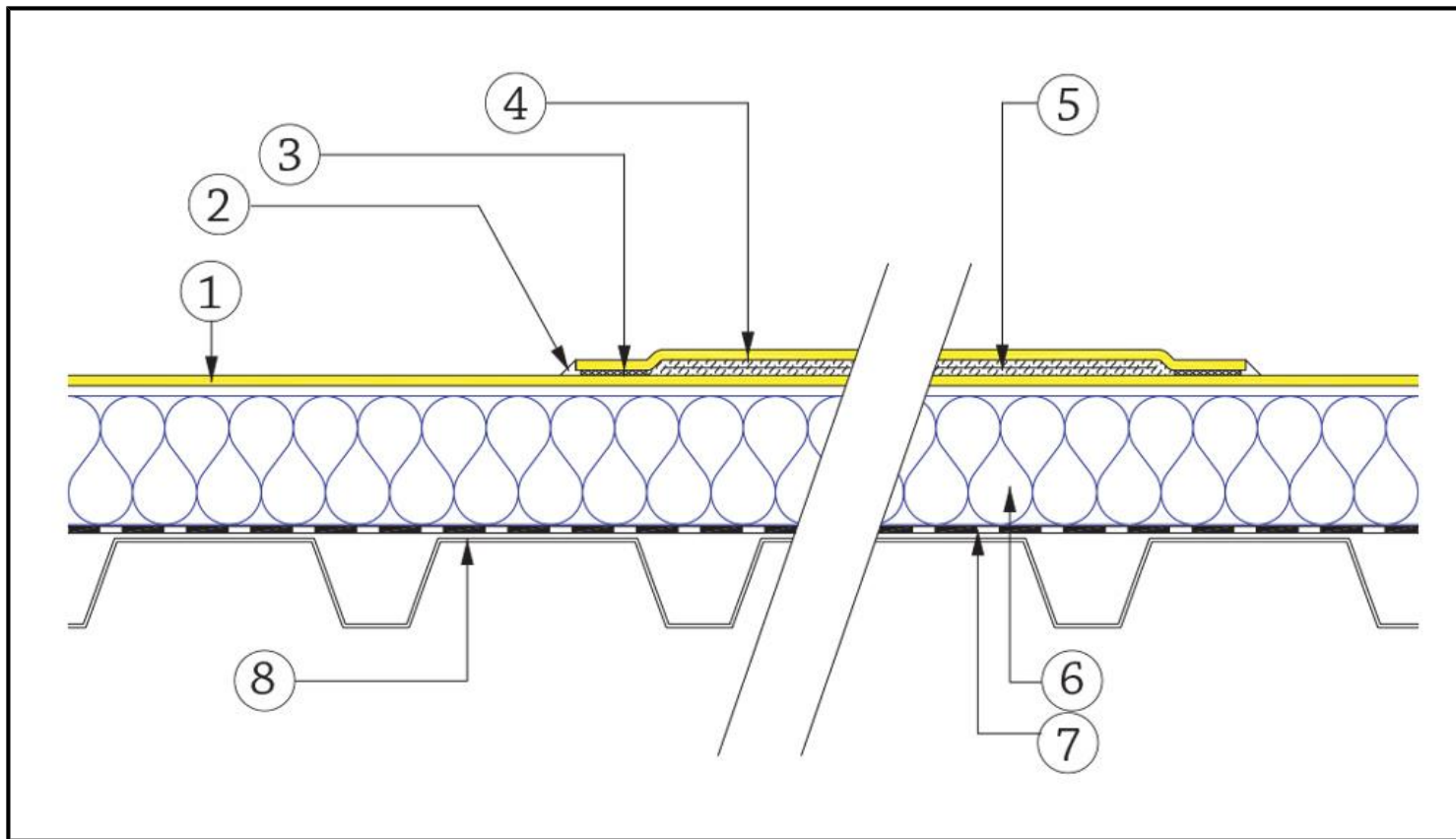


Water-Check Kerb

1. RENOLIT ALKORPLAN METAL TRIM
2. GALVANISED METAL SUPPORT PRESSING
3. RENOLIT ALKORPLUS 81038 SEAM SEALER
4. RENOLIT ALKORPLUS 81058 COMPRESSIVE FOAM SEALING TAPE
5. HEAT WELD
6. RENOLIT ALKORPLAN F 35176/35276 MEMBRANE
7. INSULATION
8. RENOLIT ALKORPLUS 81012 VAPOUR CONTROL LAYER
9. INSULATION BY BLOCKWORK CONTRACTOR MUST BE SEALED AGAINST U/S OF ROOF BUILDUP



RENOLIT waterproofing
Excellence in roofing

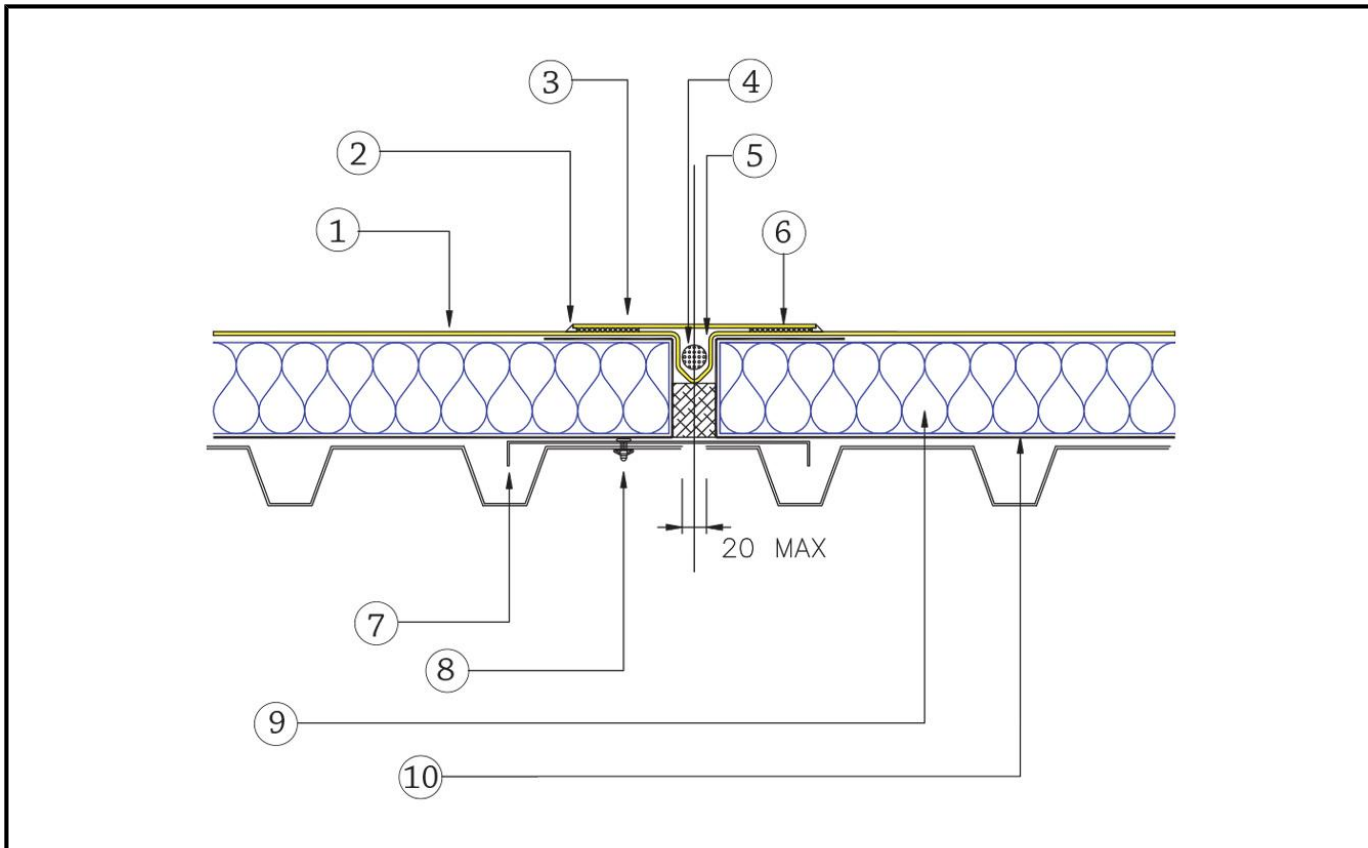


Walkway (method 1)

1. RENOLIT ALKORPLAN F 35176/35276 MEMBRANE
2. RENOLIT ALKORPLUS 81038 SEAM SEALER
3. HEAT WELD
4. RENOLIT ALKORPLAN WALKWAY 1000 MM WIDE
5. 0,9 MM GALVANISED STEEL SHEET WRAPPED IN RENOLIT ALKORPLUS PROTECTION FLEECE
6. INSULATION
7. RENOLIT ALKORPLUS 81012 VAPOUR CONTROL LAYER
8. PROFILE METAL DECK



RENOLIT waterproofing
Excellence in roofing

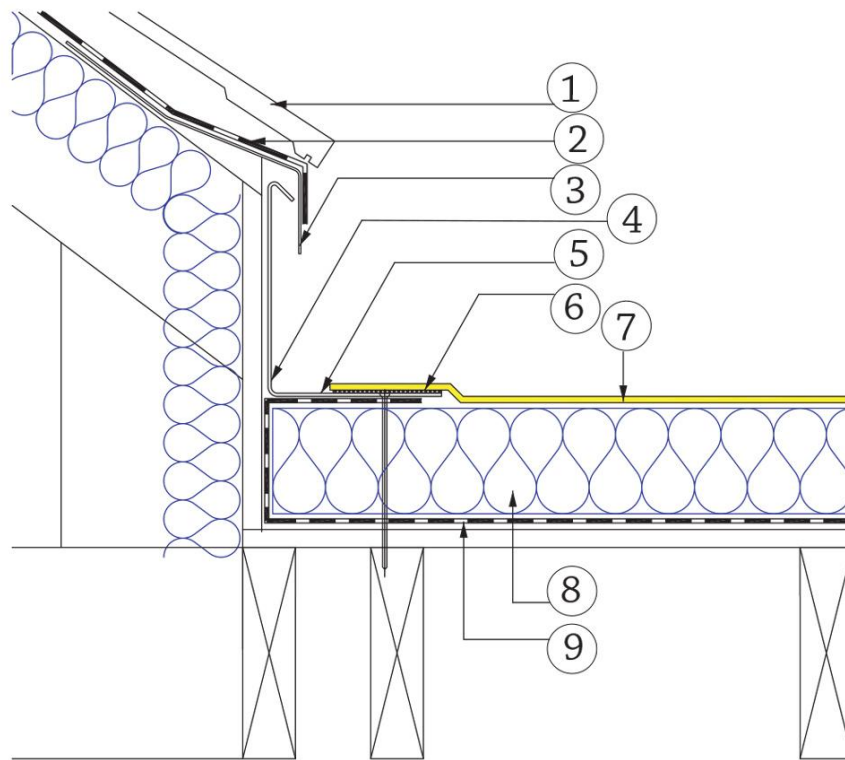


Typical Movement Joint

1. RENOLIT ALKORPLAN F 35176/35276 MEMBRANE
2. RENOLIT ALKORPLUS 81038 SEAM SEALER
3. 200 MM WIDE RENOLIT MEMBRANE JUNCTION STRIP
4. COMPRESSABLE FOAM
5. THE RENOLIT MEMBRANE FOLDED INTO JOINT
6. HEAT WELD
7. CLOSER PLATE OVER JOINT
9. INSULATION
10. RENOLIT ALKORPLUS 81012 VAPOUR CONTROL LAYER

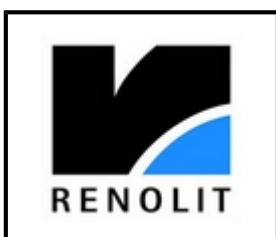


RENOLIT waterproofing
Excellence in roofing

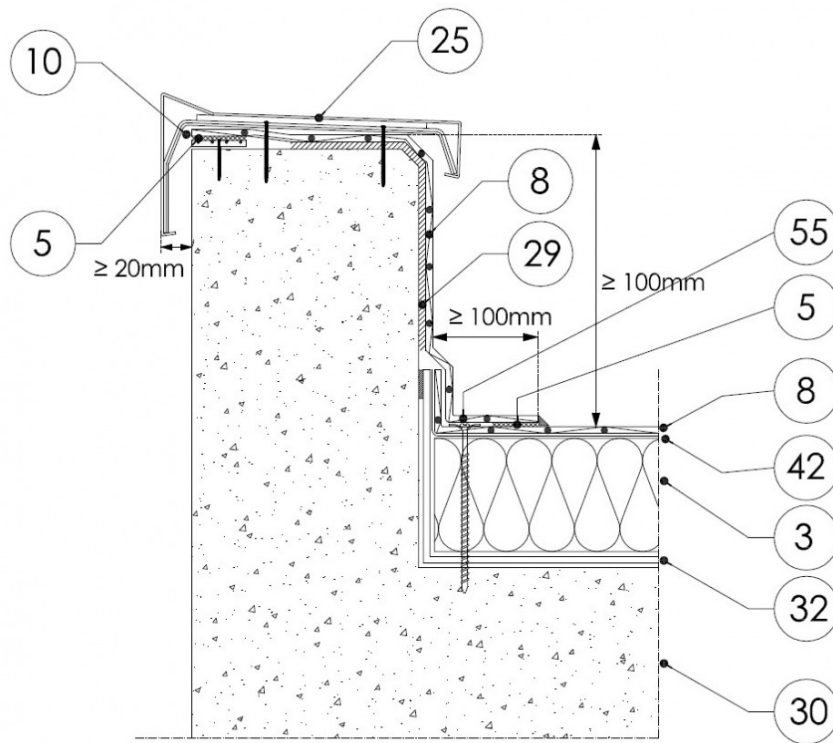


Typical Upstand to Base of Tiled Roof

1. ROOF TILING
2. SARKING FELT/TILING UNDERLAY
3. LEAD FLASHING TO BE LEAD PLUGGED TO HOLD FLASHING. PLUGS TO BE FIXED AT 300MM CENTRES. CHASE & FLASHING TO BE POINTED IN MASTIC SEALANT 'BY PLUMBER'
4. RENOLIT ALKORPLAN METAL TRIM
5. RENOLIT ALKORPLUS 81038 SEAM SEALER
6. HEAT WELD
7. RENOLIT ALKORPLAN F 35176/35276 MEMBRANE
8. INSULATION
9. RENOLIT ALKORPLUS 81012 VAPOUR CONTROL LAYER



RENOLIT waterproofing
Excellence in roofing

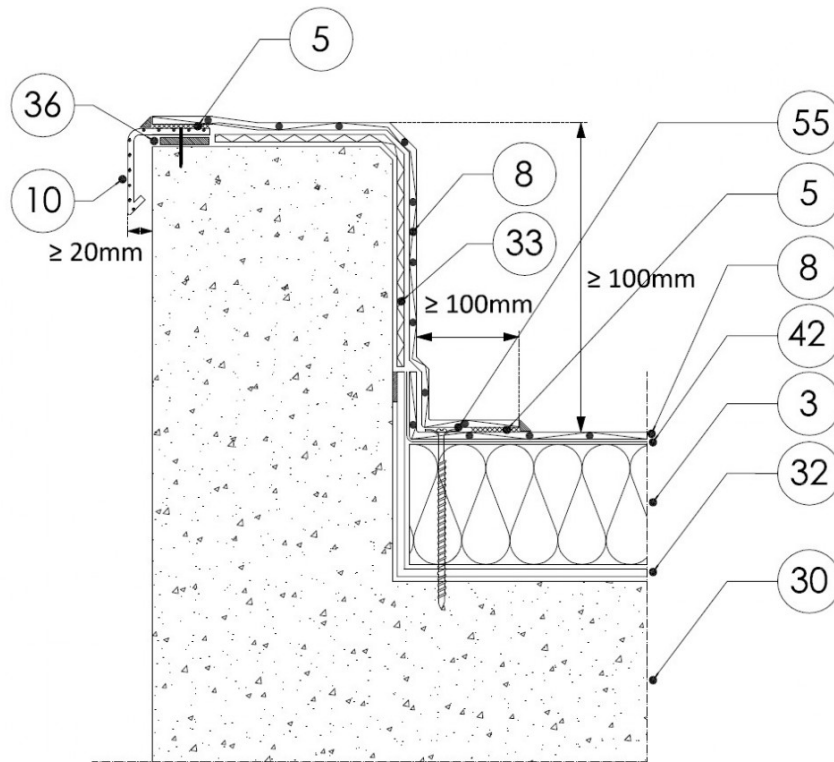


Upstand and capping detail

- 3. INSULATION
- 5. HEAT WELD
- 8. RENOLIT ALKORPLAN F 35176/35276 MEMBRANE
- 10. RENOLIT ALKOR-METAL TRIM
- 25. COPING TO SPECIALIST DETAILS
- 29. RENOLIT ALKORPLUS 81040 CONTACT ADHESIVE
- 30. DECK
- 32. RENOLIT ALKORPLUS 81002/81012 VAPOUR CONTROL LAYER
- 42. RENOLIT ALKORPLUS 81001 FLEECE (ONLY REQUIRED WITH EPS OR XPS INSULATION)
- 55. RENOLIT ALKORPLUS 81103 TERMINATION BAR, FIXED AT 250 MM CENTRES



RENOLIT waterproofing
Excellence in roofing

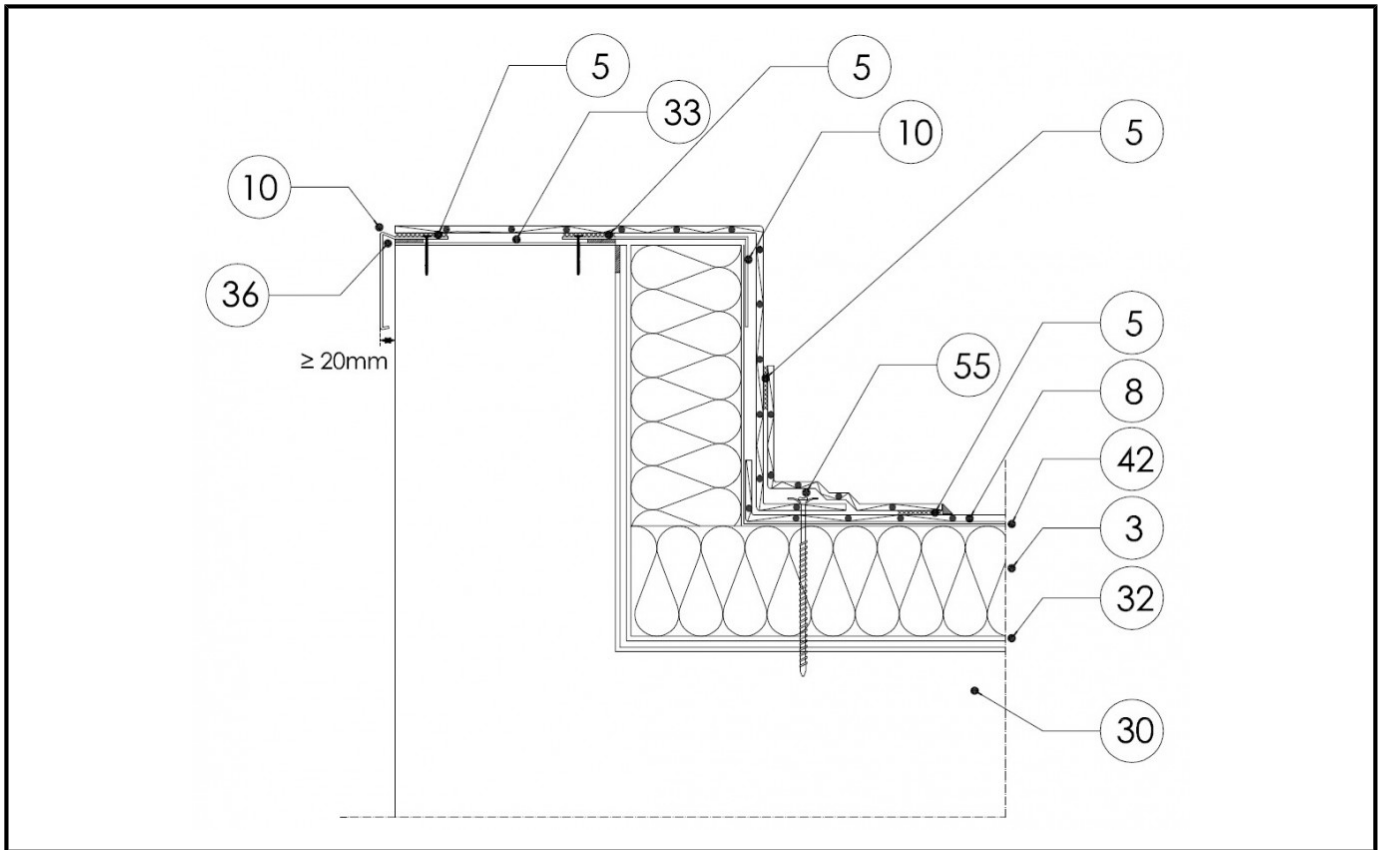


Perimeter upstand Detail with Drip Edge

3. INSULATION
5. HEAT WELD
8. RENOLIT ALKORPLAN F 35176/35276 MEMBRANE
10. RENOLIT ALKOR-METAL TRIM
30. DECK
32. RENOLIT ALKORPLUS 81002/81012 VAPOUR CONTROL LAYER
33. RENOLIT ALKORPLUS 81008 180 GMS POLYESTER FLEECE
36. RENOLIT ALKORPLUS 81058 COMPRESSIVE FOAM SEALING TAPE
42. RENOLIT ALKORPLUS 81001 FLEECE (ONLY REQUIRED WITH EPS OR XPS INSULATION)
55. RENOLIT ALKORPLUS 81103 TERMINATION BAR, FIXED AT 250 MM CENTRES



RENOLIT waterproofing
Excellence in roofing

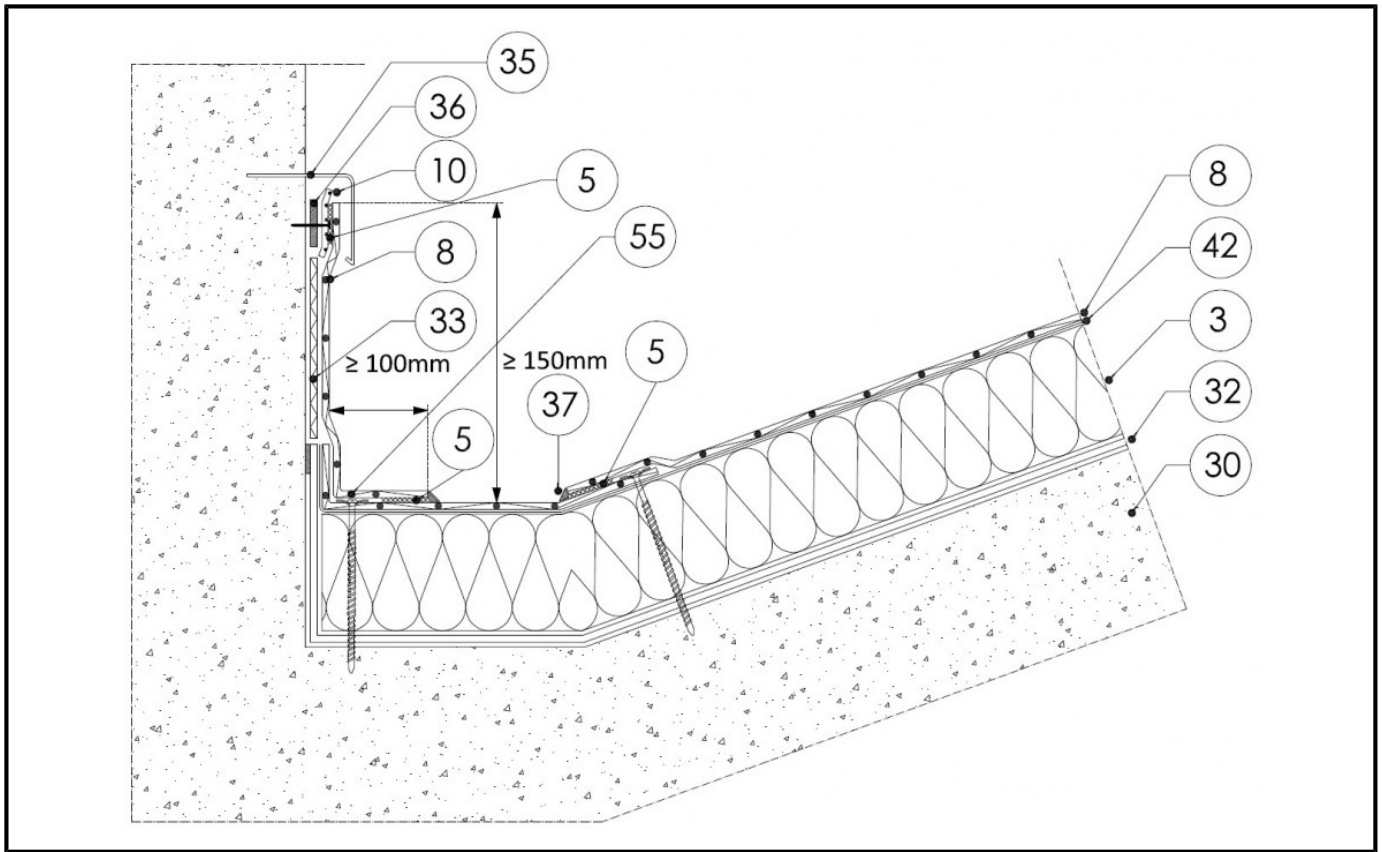


Upstand Detail 3

- 3. INSULATION
- 5. HEAT WELD
- 8. RENOLIT ALKORPLAN F 35176/35276 MEMBRANE
- 10. RENOLIT ALKOR-METAL TRIM
- 30. DECK
- 32. RENOLIT ALKORPLUS 81002/81012 VAPOUR CONTROL LAYER
- 33. RENOLIT ALKORPLUS 81008 180 GMS POLYESTER FLEECE
- 36. RENOLIT ALKORPLUS 81058 COMPRESSIVE FOAM SEALING TAPE
- 42. RENOLIT ALKORPLUS 81001 FLEECE (ONLY REQUIRED WITH EPS OR XPS INSULATION)
- 55. RENOLIT ALKORPLUS 81103 TERMINATION BAR, FIXED AT 250 MM CENTRES



RENOLIT waterproofing
Excellence in roofing

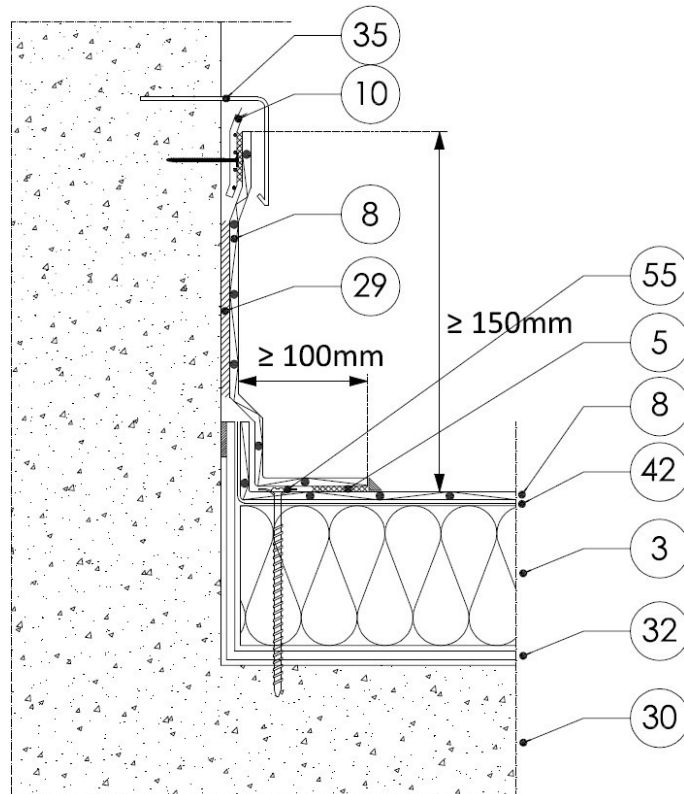


Typical Wall Abutment

3. INSULATION
5. HEAT WELD
8. RENOLIT ALKORPLAN F 35176/35276 MEMBRANE
10. RENOLIT ALKOR-METAL TRIM
30. DECK
32. RENOLIT ALKORPLUS 81002/81012 VAPOUR CONTROL LAYER
33. RENOLIT ALKORPLUS 81008 180 GMS POLYESTER FLEECE
35. LEAD OR RENOLIT ALKOR-METAL COVER FLASHING 81170/81171
36. RENOLIT ALKORPLUS 81058 COMPRESSIVE FOAM SEALING TAPE
37. RENOLIT ALKORPLUS 81038 SEAM SEALER
42. RENOLIT ALKORPLUS 81001 FLEECE (ONLY REQUIRED WITH EPS OR XPS INSULATION)
55. RENOLIT ALKORPLUS 81103 TERMINATION BAR, FIXED AT 250 MM CENTRES



RENOLIT waterproofing
Excellence in roofing

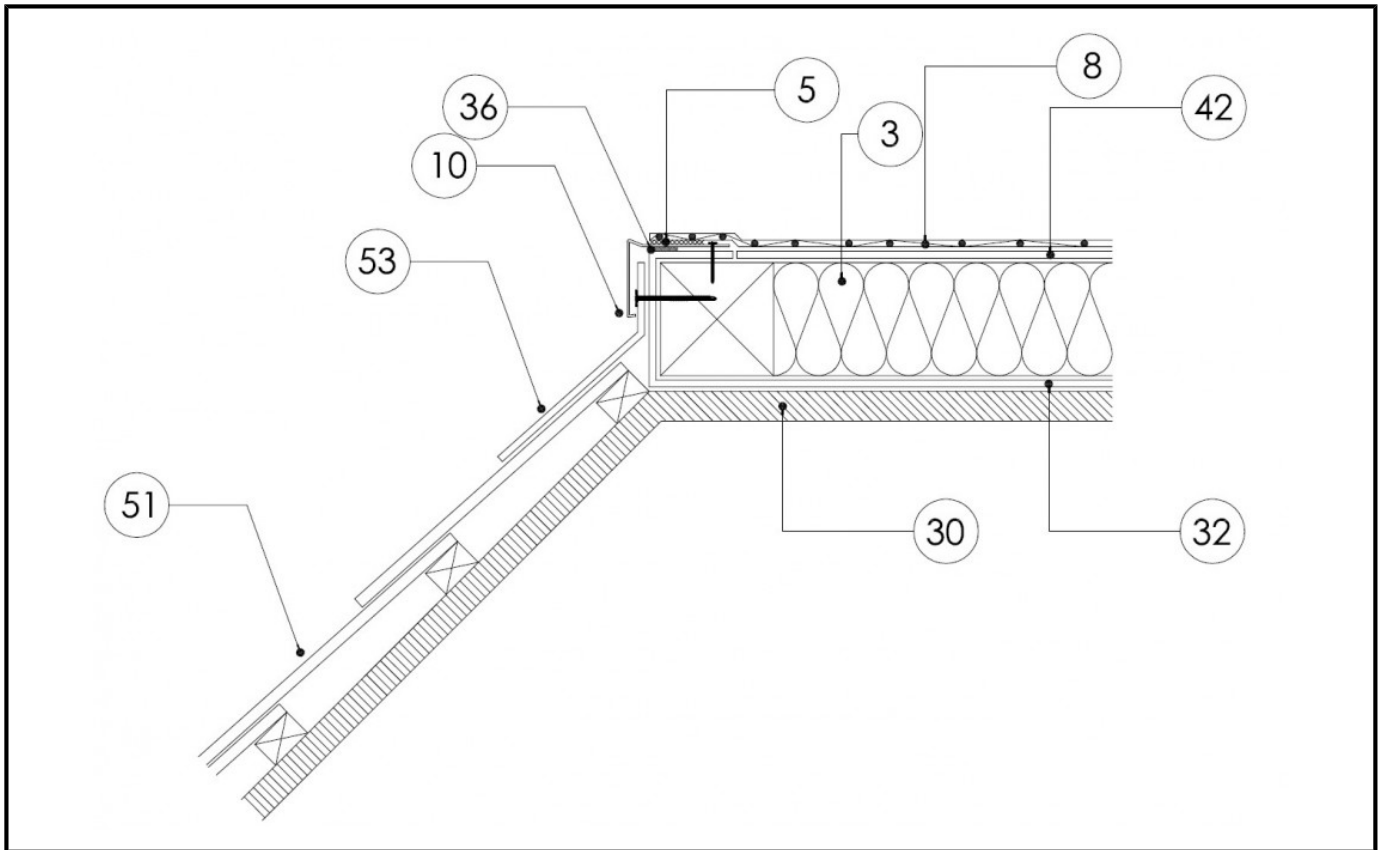


Perimeter Upstand Detail 2

- 3. INSULATION
- 5. HEAT WELD
- 8. RENOLIT ALKORPLAN F 35176/35276 MEMBRANE
- 10. RENOLIT ALKOR-METAL TRIM
- 29. RENOLIT ALKORPLUS 81040 CONTACT ADHESIVE
- 30. DECK
- 32. RENOLIT ALKORPLUS 81002/81012 VAPOUR CONTROL LAYER
- 35. LEAD OR RENOLIT ALKOR-METAL COVER FLASHING 81170/81171
- 42. RENOLIT ALKORPLUS 81001 FLEECE (ONLY REQUIRED WITH EPS OR XPS INSULATION)
- 55. RENOLIT ALKORPLUS 81103 TERMINATION BAR, FIXED AT 250 MM CENTRES



RENOLIT waterproofing
Excellence in roofing

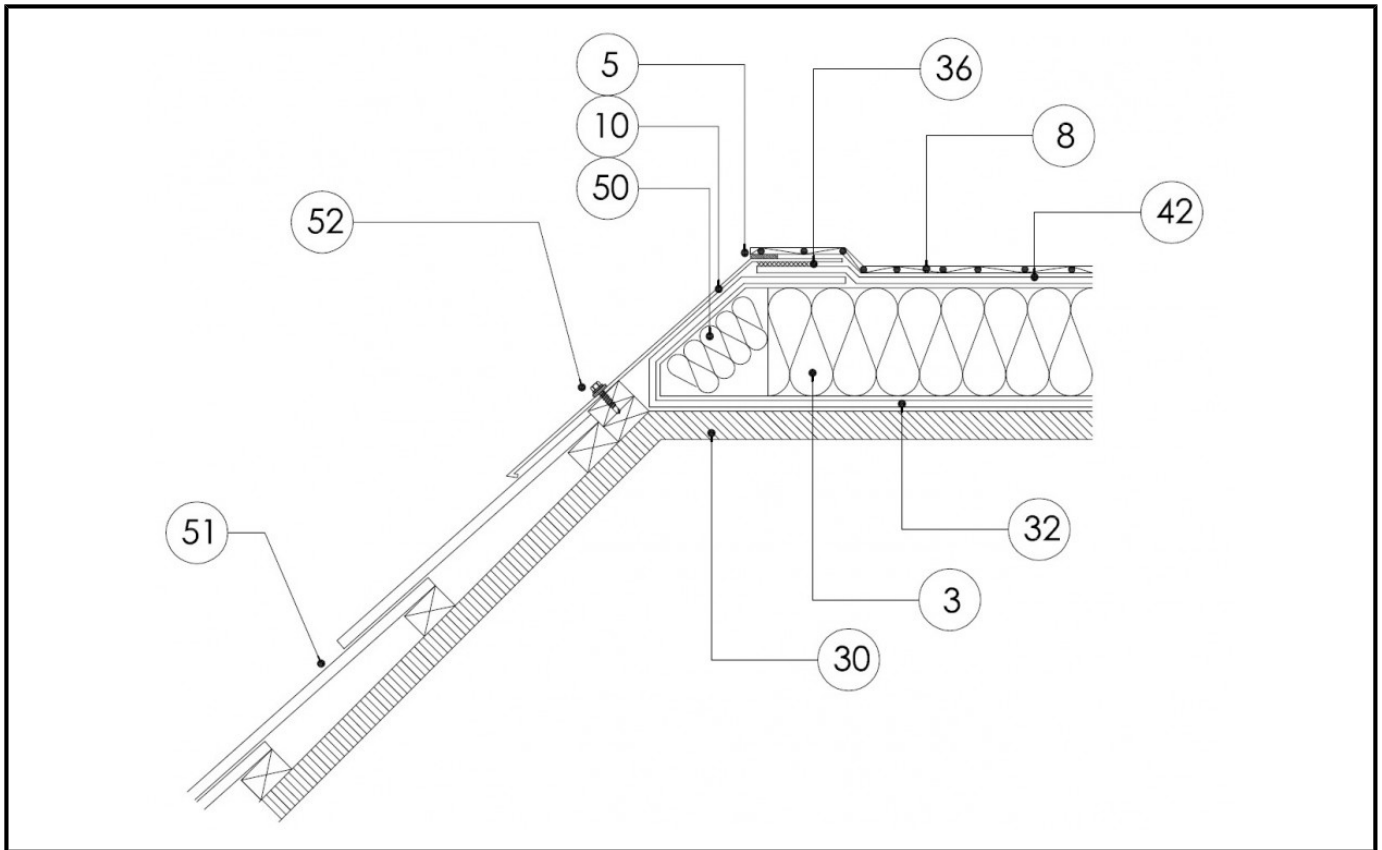


Tiled or Slated Mansard Detail, Warm Roof 1

- 3. INSULATION
- 5. HEAT WELD
- 8. RENOLIT ALKORPLAN F 35176/35276 MEMBRANE
- 10. RENOLIT ALKOR-METAL TRIM
- 30. DECK
- 32. RENOLIT ALKORPLUS 81002/81012 VAPOUR CONTROL LAYER
- 36. RENOLIT ALKORPLUS 81058 COMPRESSIVE FOAM SEALING TAPE
- 42. RENOLIT ALKORPLUS 81001 FLEECE (ONLY REQUIRED WITH EPS OR XPS INSULATION)
- 51. TILES OR SLATES
- 53. LEAD FLASHING



RENOLIT waterproofing
Excellence in roofing

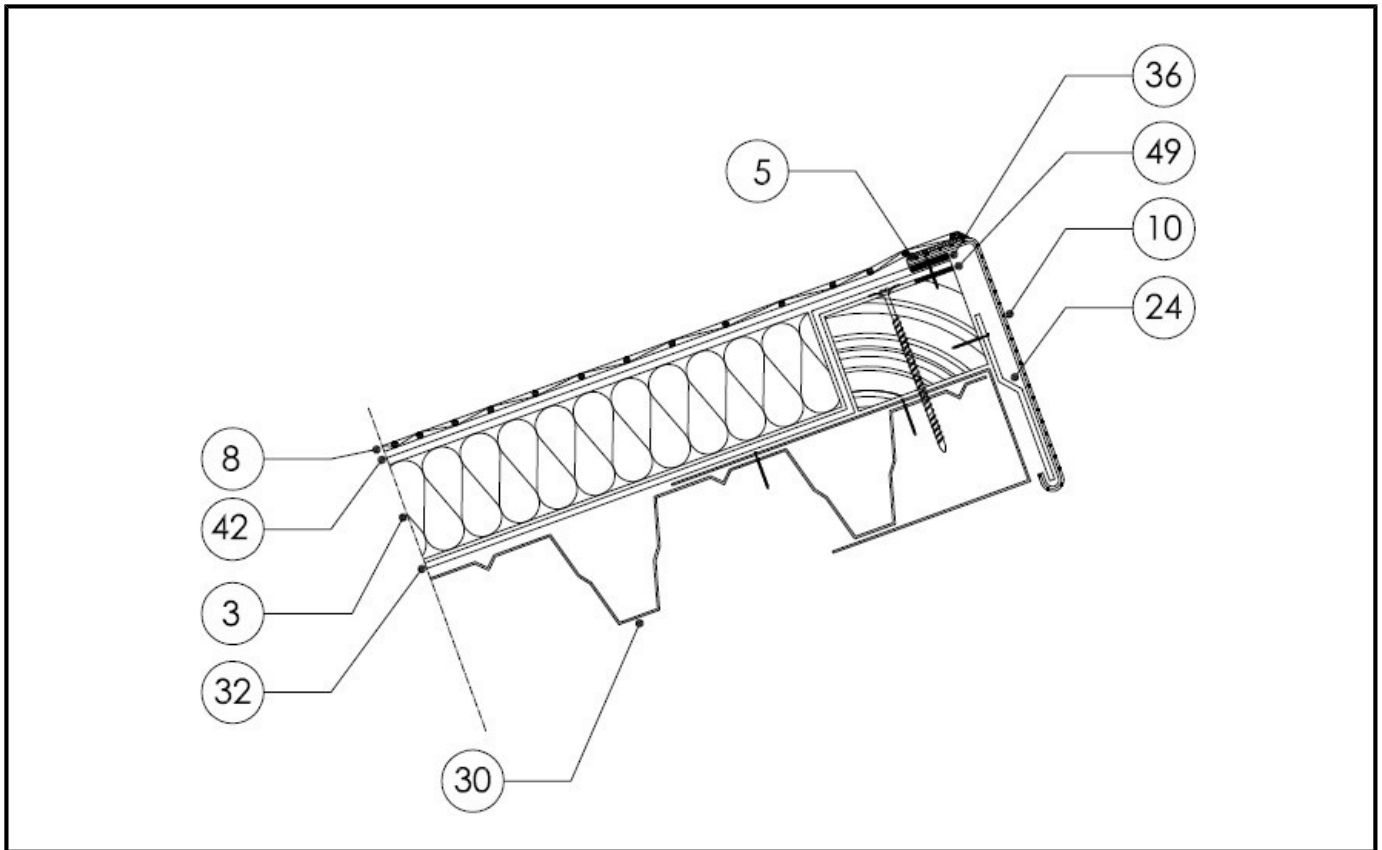


Tiled or Slated Mansard Detail, Warm Roof 2

- 3. INSULATION
- 5. HEAT WELD
- 8. RENOLIT ALKORPLAN F 35176/35276 MEMBRANE
- 10. RENOLIT ALKOR-METAL TRIM
- 30. DECK
- 32. RENOLIT ALKORPLUS 81002/81012 VAPOUR CONTROL LAYER
- 36. RENOLIT ALKORPLUS 81058 COMPRESSIVE FOAM SEALING TAPE
- 42. RENOLIT ALKORPLUS 81001 FLEECE (ONLY REQUIRED WITH EPS OR XPS INSULATION)
- 50. COMPRESSIBLE INSULATION
- 51. TILES OR SLATES
- 52. PLASTIC HEAD SELF DRILL/TAPPING FASTENER WITH SEALING WASHER



RENOLIT waterproofing
Excellence in roofing



Perimeter drip edge detail

- 3. INSULATION
- 5. HEAT WELD
- 8. RENOLIT ALKORPLAN F 35176/35276 MEMBRANE
- 10. RENOLIT ALKOR-METAL TRIM
- 24. GALVANISED STEEL RETENTION BRACKETS FOR DRIP SECTIONS GREATER THAN 100MM, FIXED AT 1M CENTRES
- 30. DECK
- 32. RENOLIT ALKORPLUS 81002/81012 VAPOUR CONTROL LAYER
- 36. RENOLIT ALKORPLUS 81058 COMPRESSIVE FOAM SEALING TAPE
- 42. RENOLIT ALKORPLUS 81001 FLEECE (ONLY REQUIRED WITH EPS OR XPS INSULATION)
- 49. RENOLIT ALKORPLUS 81057 BUTYL STRIP



RENOLIT waterproofing
Excellence in roofing